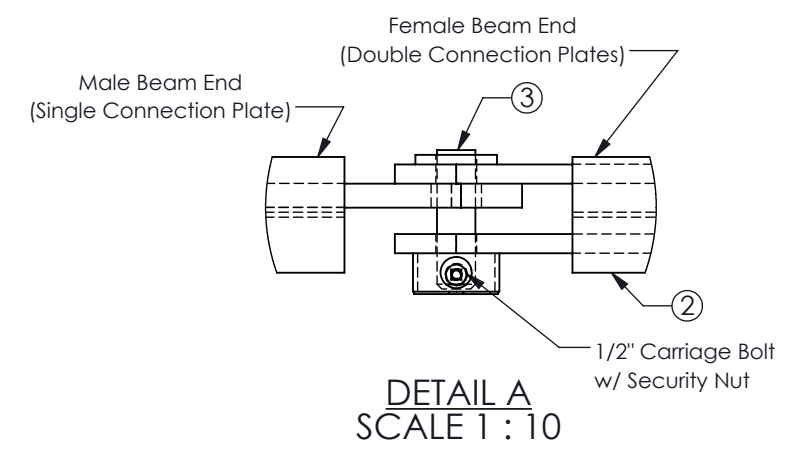
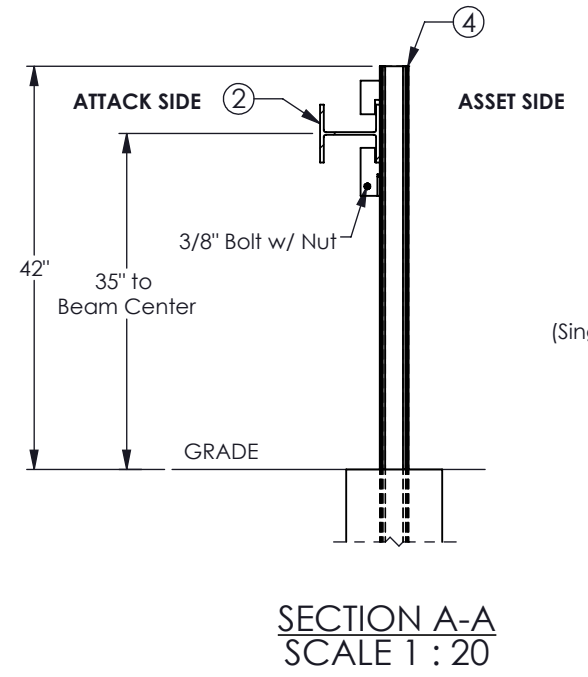
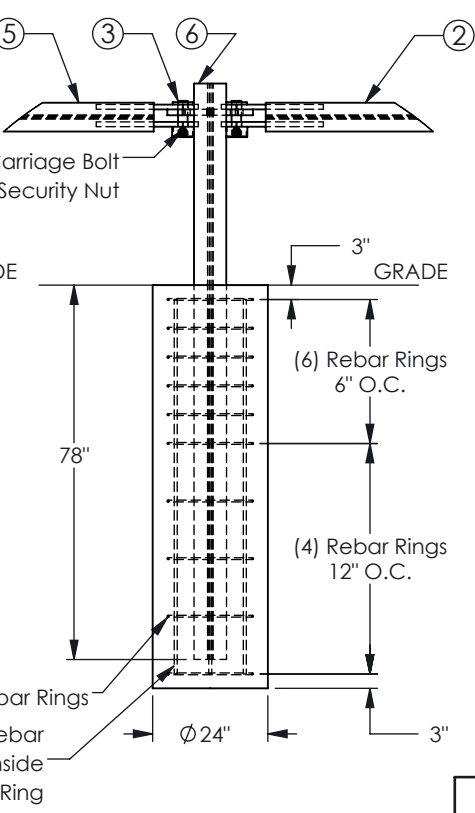
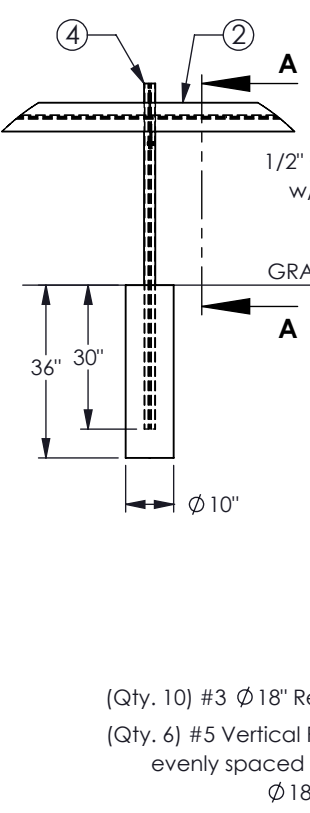
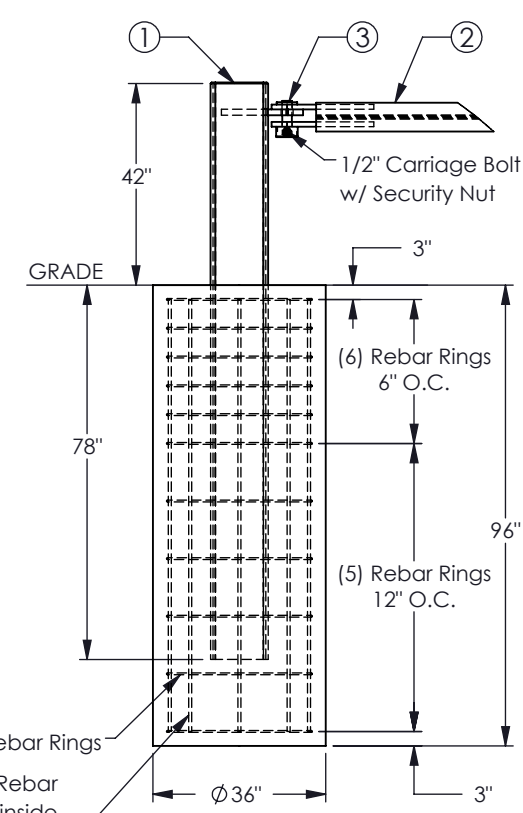



G-6342 POST AND BEAM B.O.M.		
#	ITEM NO.	DESCRIPTION
1		Left Hand End Post
2		F/M W-Beam
3		Pivot Pin
4		Intermediate Post
5		F/F W-Beam
6		Line Post

GENERAL NOTES

- For additional information contact Gibraltar at 1-800-495-8957.
- All concrete shall be per specification; minimum 3500PSI. With 3" clear cover for rebar. End Post and Line Post foundations are reinforced with #3 and #5 rebar, provided by others.
- To ensure proper fit it is recommended that beams be pinned up to posts before concrete is poured.
- First two Intermediate post spacings are less than the typical Intermediate post spacings to ensure that Intermediate post do not occur at beam connection points. Adjust Intermediate post spacing to avoid beam connection plates as necessary.
- Height from grade to beam center is 35" ± 3" for grade change between line posts. Beams can accommodate a grade change of 11 degrees at line post connections. Resulting in a maximum grade change of 22 degrees at Line posts.
- Last beam to be custom length Female/Female beam to meet length of need.
- Corner Terminal Post not shown.
- Gibraltar will provide site specific submittals and layout with part list for each individual project.



PROPRIETARY AND CONFIDENTIAL				
THE INFORMATION CONTAINED IN THIS DRAWING IS THE SOLE PROPERTY OF GIBRALTAR. ANY REPRODUCTION IN PART OR AS A WHOLE WITHOUT THE WRITTEN PERMISSION OF GIBRALTAR IS PROHIBITED.				
REV #	DESCRIPTION:	DRAWN BY:	APPD BY:	DATE:
2	Revised end post descriptions, updated notes	EJ	JP	08-15-17
1	Approved for distribution	EJ	BN	10-21-16
0	Issued for approval	EJ	JP	09-21-16

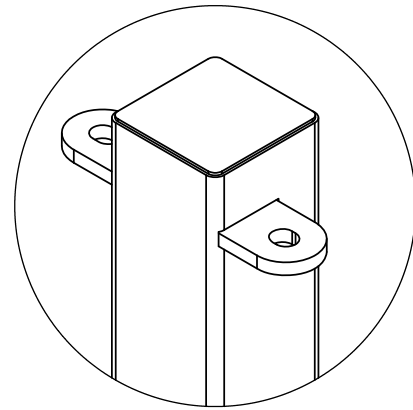
PRODUCT: G-Force M40 P2 Post and Beam System	SHEET DESCRIPTION: System Layout	
	PROJECT: Standard	
	SCALE: VARIES	SHEET: 1 OF 1
	DWG # 6342-SL01	

NOTES

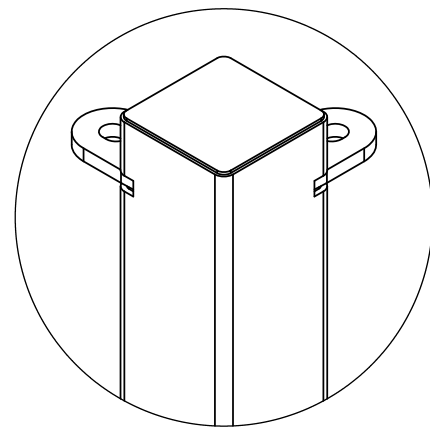
1. This drawing depicts all End Post/Terminal Post options.
2. All End Post/Terminal Posts and Continuation Posts have same foundations.

G-FORCE M40 P2 POST AND BEAM B.O.M.

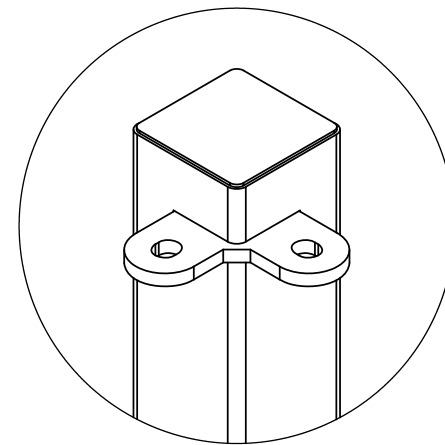
#	ITEM NO.	DESCRIPTION
1		Left Hand End Post
2		Right Hand End Post
3		W-Beam Line Post
4		F/M W-Beam
5		W-Beam
6		Intermediate Post
7		Continuation Post
8		Outside Corner Terminal Post
9		Inside Corner Terminal Post



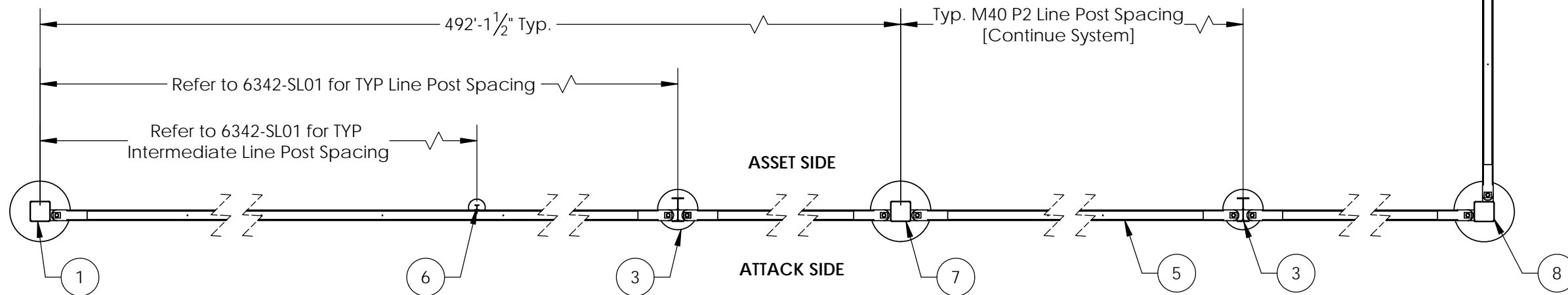
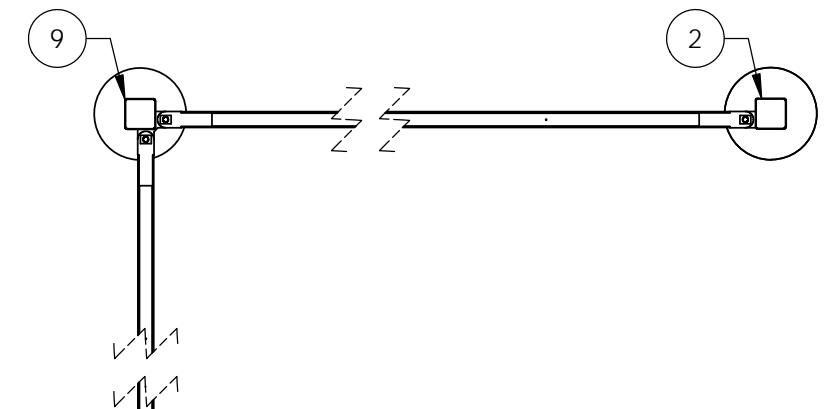
7 CONTINUATION POST
SCALE 1 : 15



8 OUTSIDE CORNER TERMINAL POST
SCALE 1 : 15



9 INSIDE CORNER TERMINAL POST
SCALE 1 : 15



PLAN VIEW
SCALE 1 : 75

PROPRIETARY AND CONFIDENTIAL THE INFORMATION CONTAINED IN THIS DRAWING IS THE SOLE PROPERTY OF GIBRALTAR. ANY REPRODUCTION IN PART OR AS A WHOLE WITHOUT THE WRITTEN PERMISSION OF GIBRALTAR IS PROHIBITED.				TOLERANCES: DIMS > 1" ± 1/8" DIMS ≤ 1" ± 1/16" ANGLES ± 5° WELDS -1/16" +1/8"		PRODUCT: G-Force M40 P2 Post and Beam System		SHEET DESCRIPTION: End Post / Terminal Options System Layout				
REV #	DESCRIPTION:	DRAWN BY:	APPD BY:	DATE:								
1	Approved for distribution	SW	JP	08-04-17								
0	Issued for Approval	SW	JP	07-24-17								
					PROJECT: STANDARD		SCALE: VARIES		SHEET: 1 OF 1		DWG # 6342-SL02	