

GENERAL NOTES

1. For additional information contact Gibraltar at 1-800-495-8957.
2. All concrete shall be per specification; minimum 3500PSI with 5lbs. per yard fiber.
3. The foundation dimensions shown represent the minimum requirements for the G-Force Brace and Beam Shallow Foundation stand alone system.

PACKET NOTES

1. Refer to this sheet for foundation excavation details.
2. Refer to sheets 2-4 for rebar, post, and brace installation.
3. Refer to drawing# GFBB-SL01 for system assembly installation. Fully assembly system prior to pouring concrete to ensure proper fit.

REBAR B.O.M.

ITEM NO.	DESCRIPTION	MEASURE	QTY.	SHEET NO.
1	G-Force Brace and Beam	N/A	1	1
2	Terminal Foundation	8.5M x 3.75M	2	2-3
3	Line Post Foundation	3.75M x 1M	2	4
4	#4 Rebar Band	30" x 7"	54	5
5	#5 Rebar	11'-9.5"	48	5
6	#5 Rebar	27'-4.5"	16	5
7	#8 Rebar	33.5"	36	5
8	#8 Rebar	72"	20	5

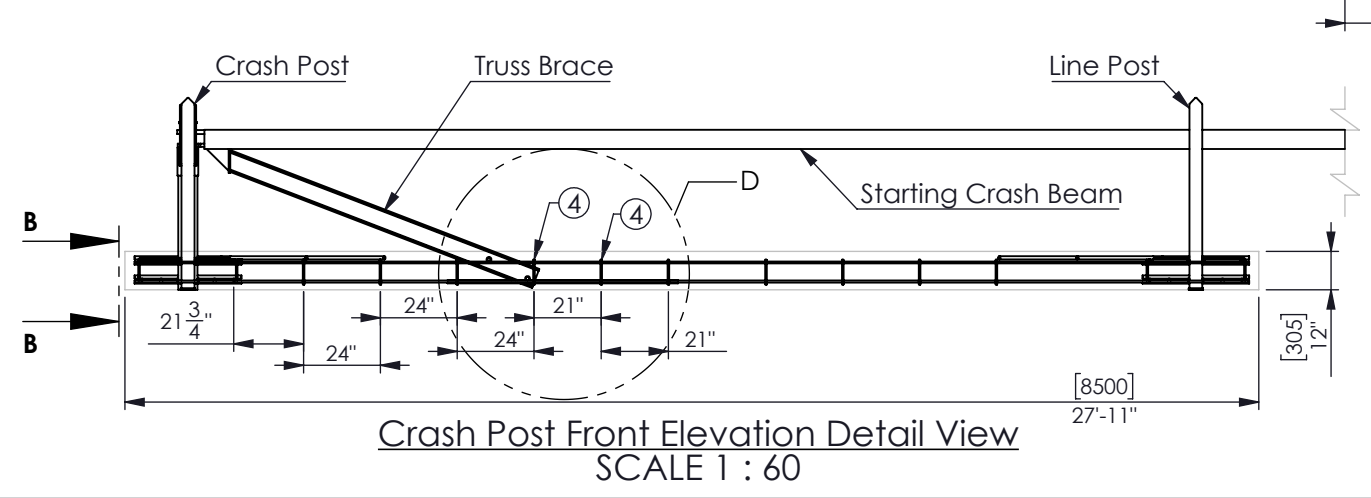
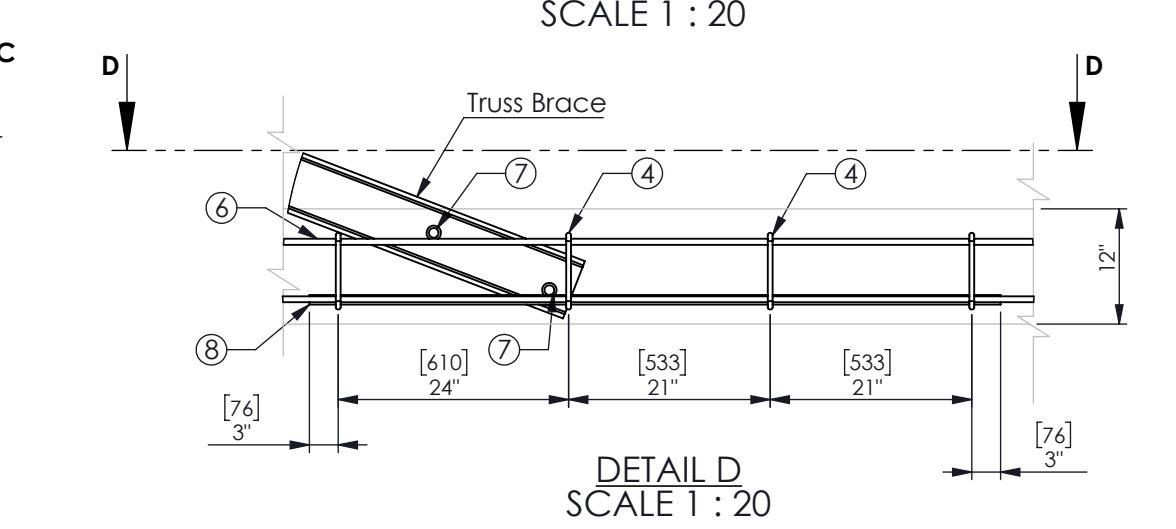
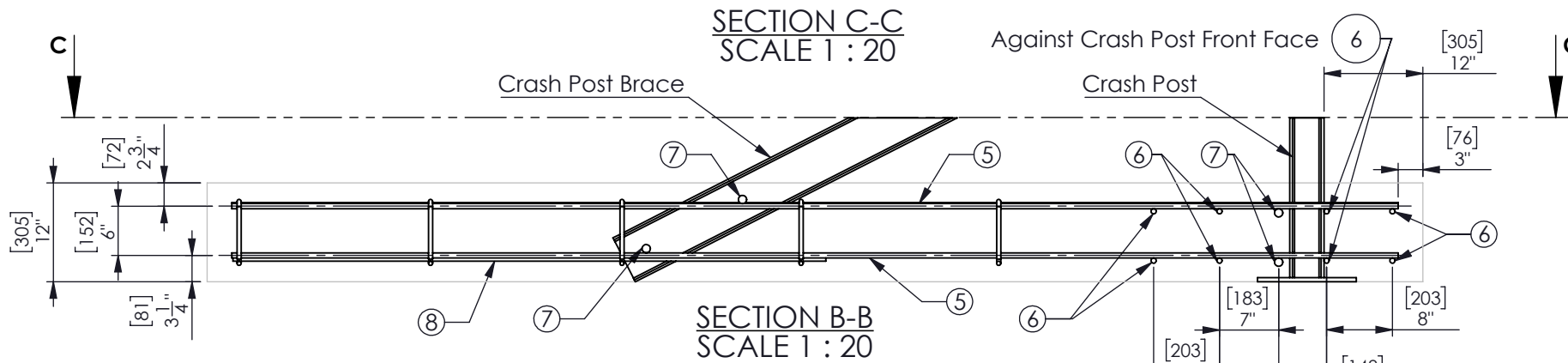
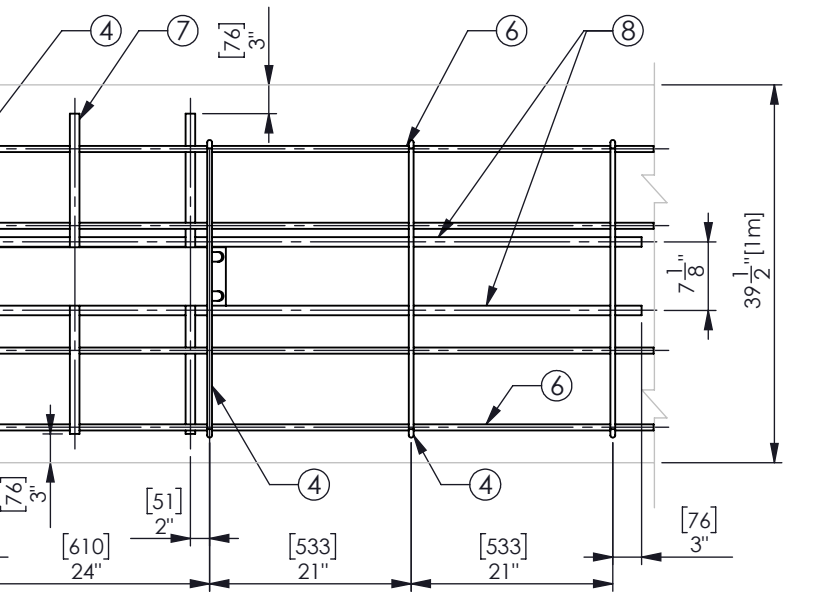
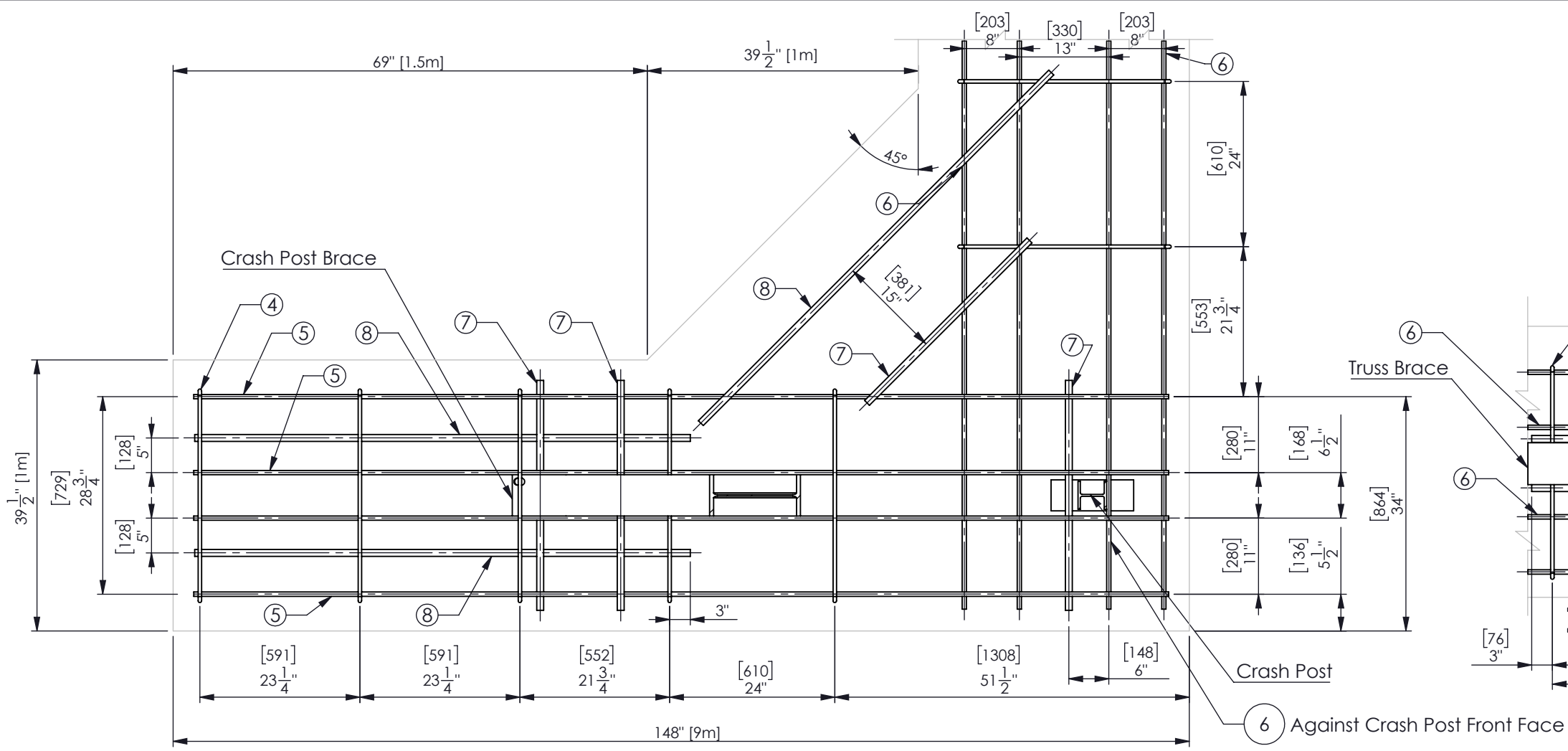
PATENT PENDING

PROPRIETARY AND CONFIDENTIAL THE INFORMATION CONTAINED IN THIS DRAWING IS THE SOLE PROPERTY OF GIBRALTAR. ANY REPRODUCTION IN PART OR AS A WHOLE WITHOUT THE WRITTEN PERMISSION OF GIBRALTAR IS PROHIBITED.				
REV #	DESCRIPTION:	DRAWN BY:	APPD BY:	DATE:
1	Approved for distribution	EJ	JP	02-07-17
0	Issued for approval	EJ	JP	12-27-16

PRODUCT: G-Force Brace and Beam	SHEET DESCRIPTION: Shallow "Island" Foundation Excavation Details
PROJECT: Standard	
SCALE: VARIES	SHEET: 1 OF 5
DWG # GFBB-SL02	

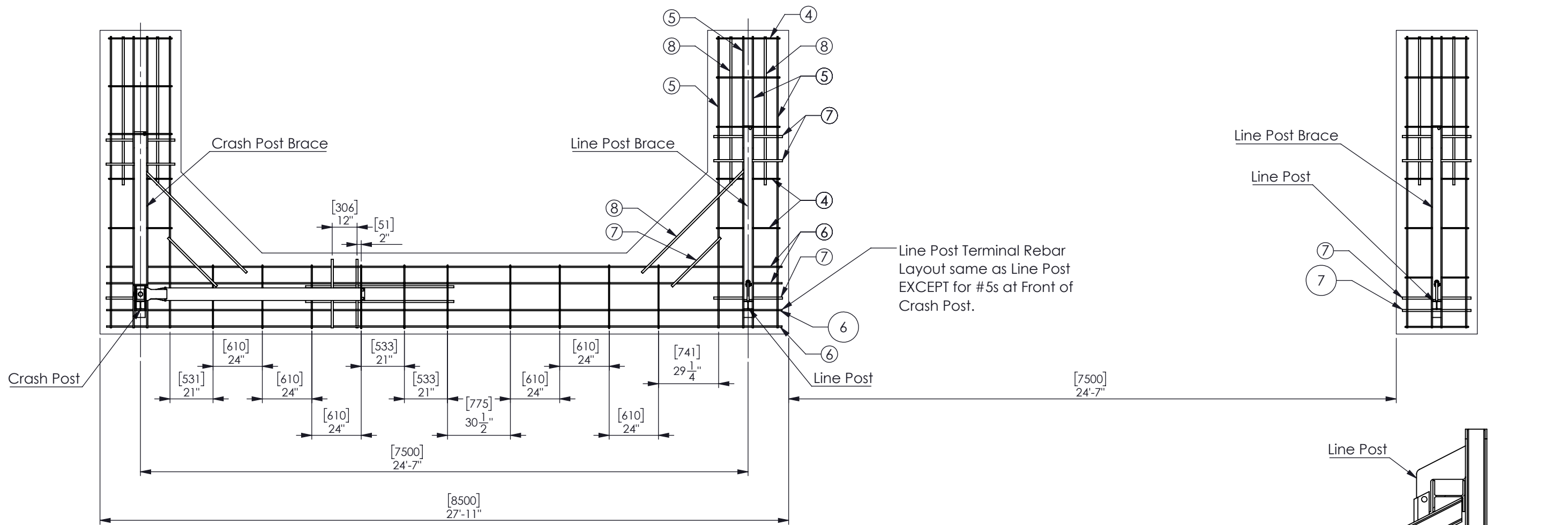


REBAR B.O.M.				
ITEM NO.	DESCRIPTION	MEASURE (in)	QTY.	SHEET NO.
4	#4 Rebar Band	30" x 7"	54	6
5	#5 Rebar	11'-9.5"	48	6
6	#5 Rebar	27'-4.5"	16	6
7	#8 Rebar	33.5"	36	6
8	#8 Rebar	72"	20	6

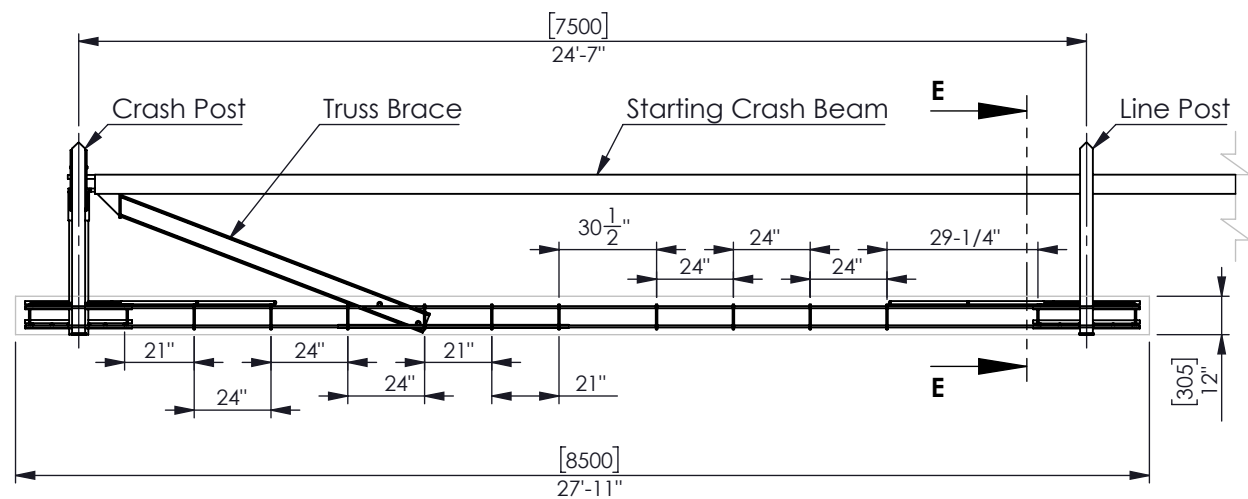


PROPRIETARY AND CONFIDENTIAL				
THE INFORMATION CONTAINED IN THIS DRAWING IS THE SOLE PROPERTY OF GIBRALTAR. ANY REPRODUCTION IN PART OR AS A WHOLE WITHOUT THE WRITTEN PERMISSION OF GIBRALTAR IS PROHIBITED.				
REV #	DESCRIPTION:	DRAWN BY:	APPD BY:	DATE:
1	Approved for distribution	EJ	JP	02-07-17
0	Issued for approval	EJ	JP	12-27-16

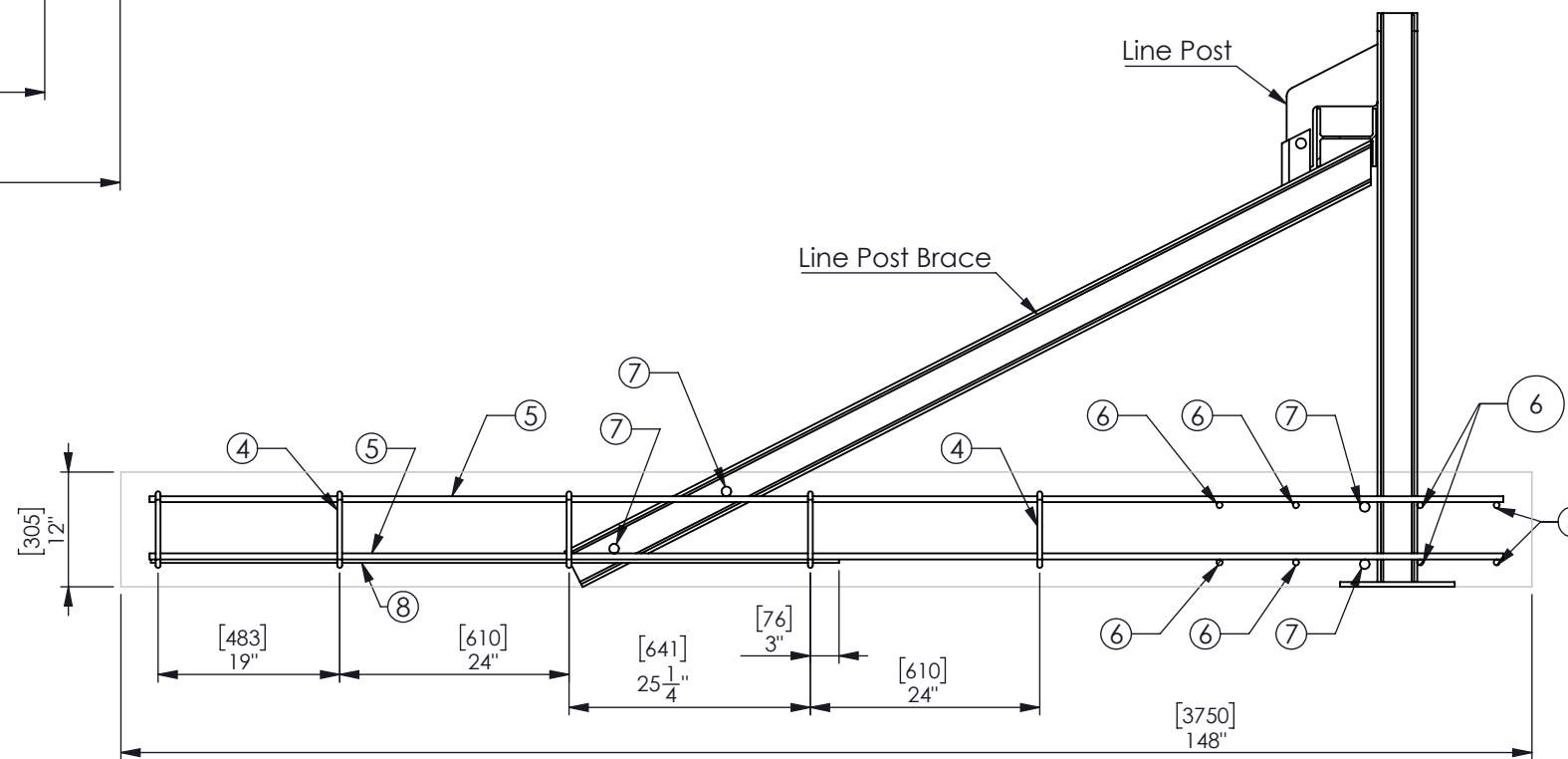
PRODUCT: G-Force Brace and Beam		SHEET DESCRIPTION: Crash Post Rebar Details	
		PROJECT: Standard	
		SCALE: VARIES	SHEET: 2 OF 5



Start Terminal PLAN VIEW
SCALE 1 : 50

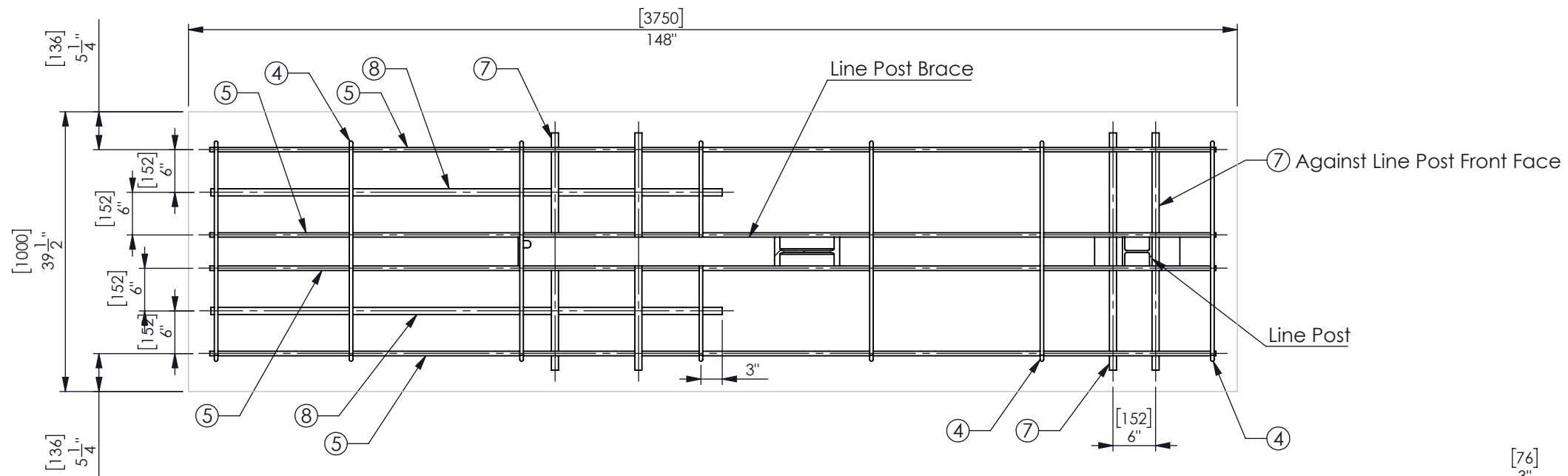


Crash Post Front Elevation Detail View
SCALE = NTS

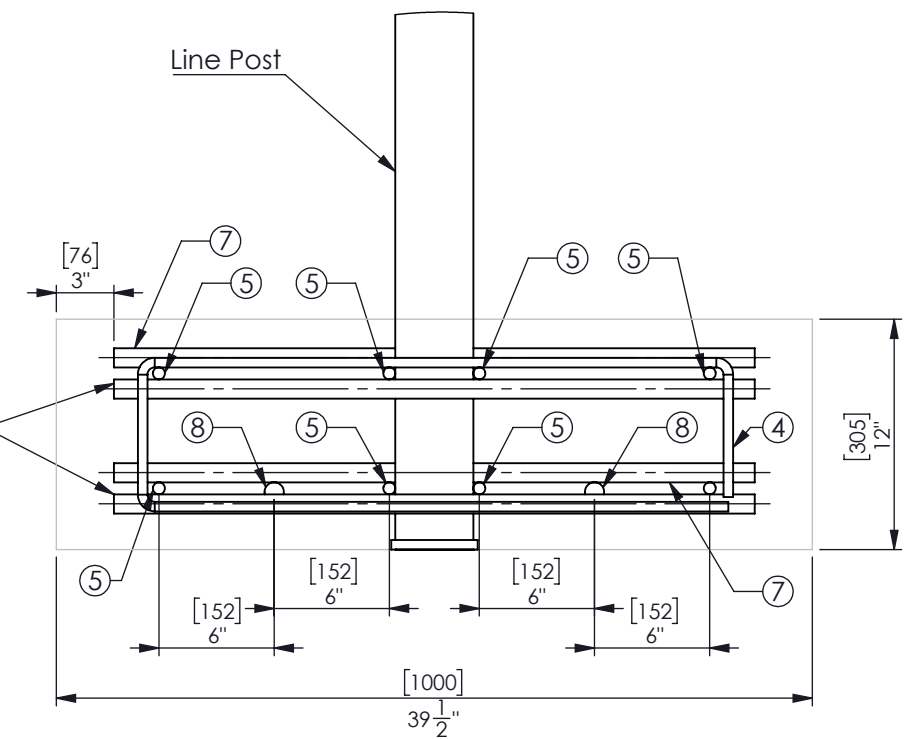


SECTION E-E
SCALE 1 : 20

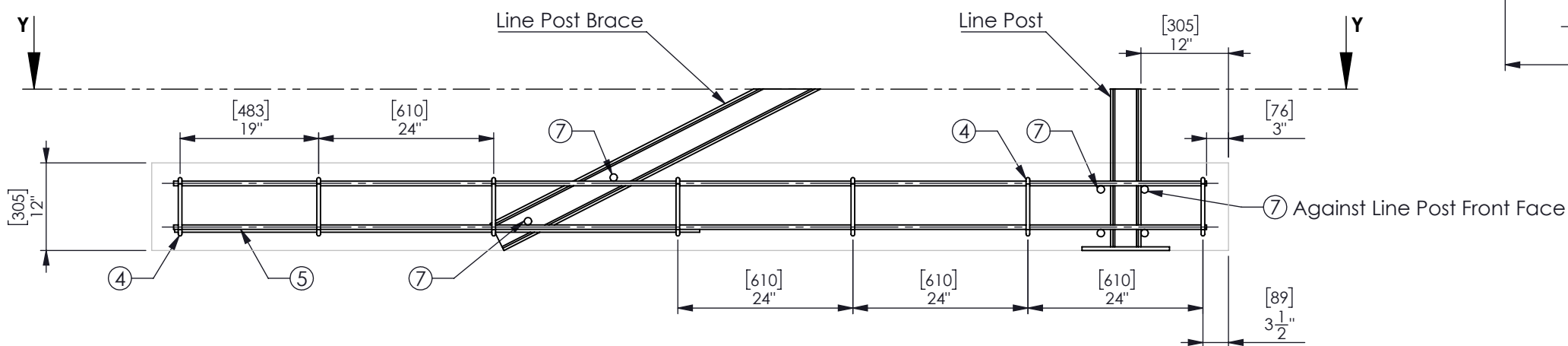
PROPRIETARY AND CONFIDENTIAL THE INFORMATION CONTAINED IN THIS DRAWING IS THE SOLE PROPERTY OF GIBRALTAR. ANY REPRODUCTION IN PART OR AS A WHOLE WITHOUT THE WRITTEN PERMISSION OF GIBRALTAR IS PROHIBITED.				PRODUCT: G-Force Brace and Beam	SHEET DESCRIPTION: Line Post Terminal Rebar Detail
REV # 1 0	DESCRIPTION: Approved for distribution Issued for approval	DRAWN BY: EJ	APPD BY: JP	DATE: 02-07-17 12-27-16	PROJECT: Standard
				SCALE: VARIES	SHEET: 3 OF 5
				DWG # GFBB-SL02	



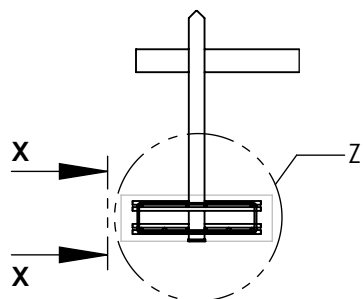
SECTION Y-Y
SCALE 1 : 20



DETAIL Z
SCALE 1 : 10



SECTION X-X
SCALE 1 : 20

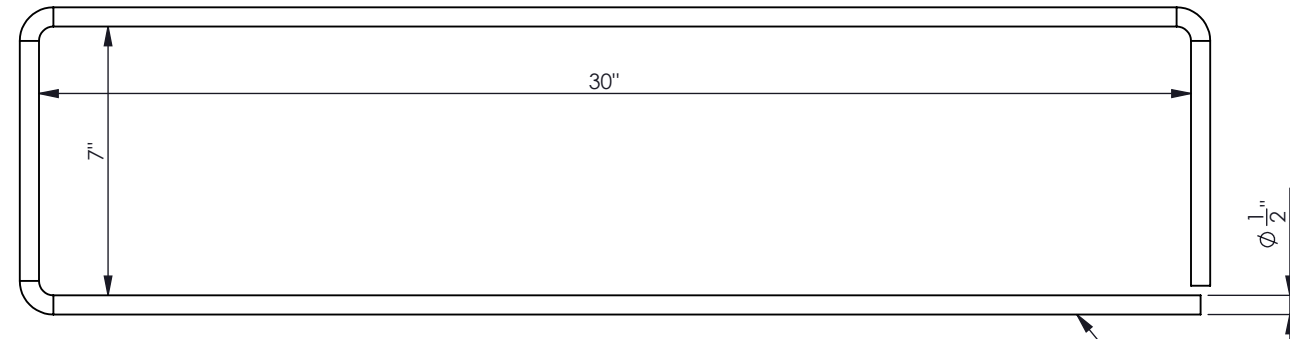


Front Elevation View Line Post Foundation
SCALE 1 : 50

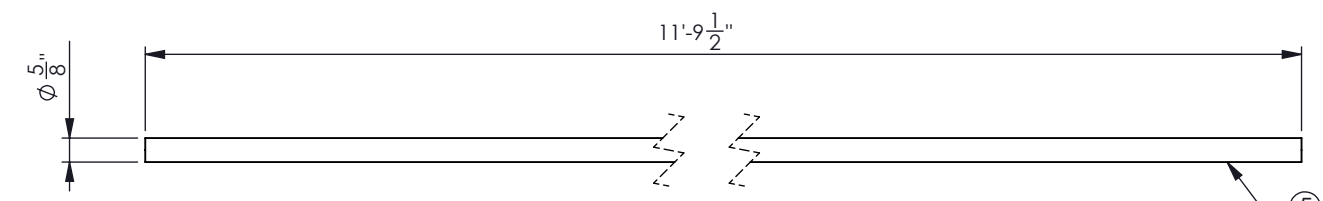
PROPRIETARY AND CONFIDENTIAL THE INFORMATION CONTAINED IN THIS DRAWING IS THE SOLE PROPERTY OF GIBRALTAR. ANY REPRODUCTION IN PART OR AS A WHOLE WITHOUT THE WRITTEN PERMISSION OF GIBRALTAR IS PROHIBITED.				
REV #	DESCRIPTION:	DRAWN BY:	APPD BY:	DATE:
1	Approved for distribution	EJ	JP	02-07-17
0	Issued for approval	EJ	JP	12-27-16

PRODUCT: G-Force Brace and Beam	SHEET DESCRIPTION: Line Post Rebar Details	
	PROJECT: Standard	
	SCALE: VARIES	SHEET: 4 OF 5

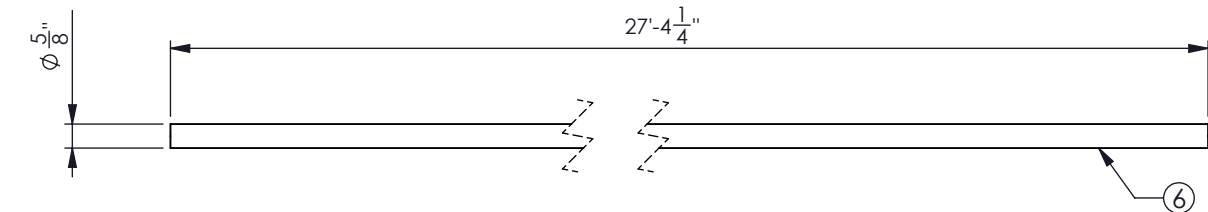
REBAR B.O.M.			
ITEM NO.	DESCRIPTION	MEASURE (in)	QTY.
4	#4 Rebar Band	30" x 7"	54
5	#5 Rebar	11'-9.5"	48
6	#5 Rebar	27'-4.5"	16
7	#8 Rebar	33.5"	36
8	#8 Rebar	72"	20



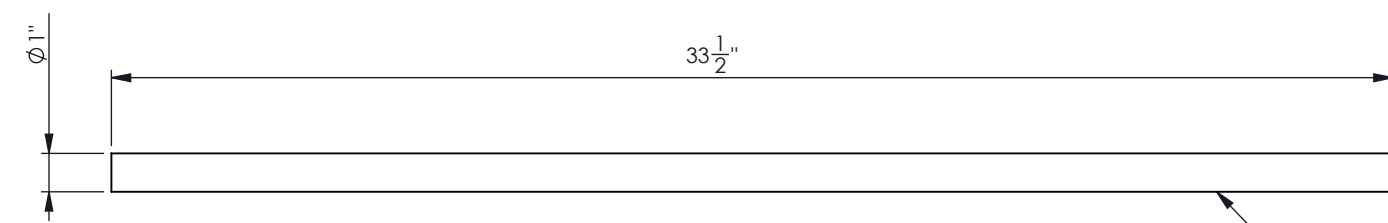
#4 REBAR BAND
SCALE 1 : 5



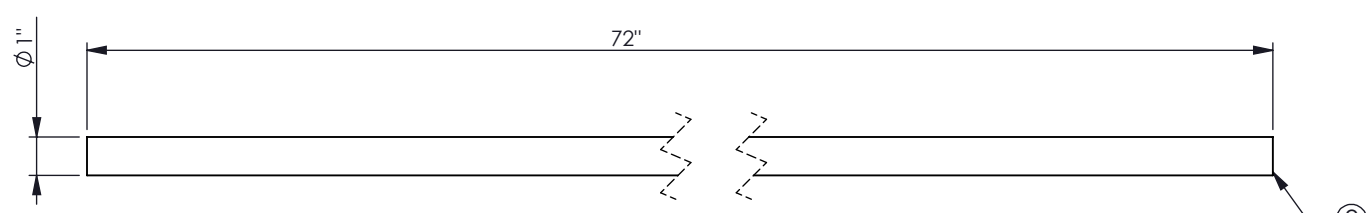
#5 REBAR 11'-9.5"
SCALE 1 : 5




#5 REBAR 27'-4.5"
SCALE 1 : 5



#8 REBAR 33.5"
SCALE 1 : 5



#8 REBAR 72"
SCALE 1 : 5

PROPRIETARY AND CONFIDENTIAL THE INFORMATION CONTAINED IN THIS DRAWING IS THE SOLE PROPERTY OF GIBRALTAR. ANY REPRODUCTION IN PART OR AS A WHOLE WITHOUT THE WRITTEN PERMISSION OF GIBRALTAR IS PROHIBITED.					PRODUCT: G-Force Brace and Beam		SHEET DESCRIPTION: REBAR DETAILS			
REV #	DESCRIPTION:	DRAWN BY:	APPD BY:	DATE:						
1	Approved for distribution	EJ	JP	02-07-17						
0	Issued for approval	EJ	JP	12-27-16	PROJECT: Standard			SCALE: 1:5	SHEET: 5 OF 5	DWG # GFBB-SL02