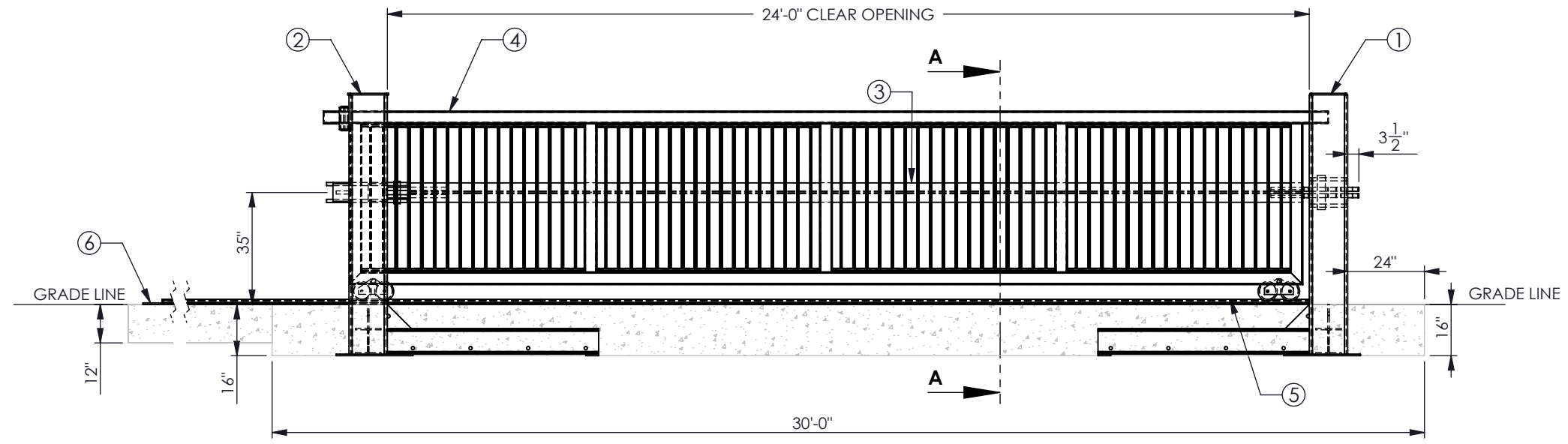
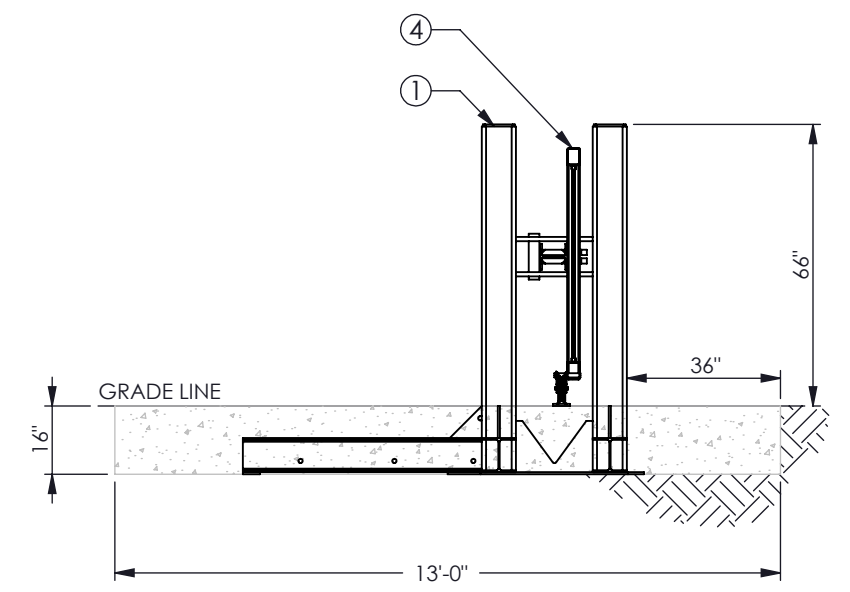


PLAN VIEW  
SCALE 1 : 45

TOP LVL ASSEMBLY B.O.M.		
ITEM NO.	DESCRIPTION	QTY.
1	LH Latch Post Assembly	1
2	LH Buttress Post	1
3	Gate Crash Beam	1
4	Gate Frame Assembly	1
5	V-Track Front Seg.	1
6	V-Track End Seg.	1



ELEVATION VIEW  
SCALE 1 : 45



SECTION A-A  
SCALE 1 : 45

**GENERAL NOTES**

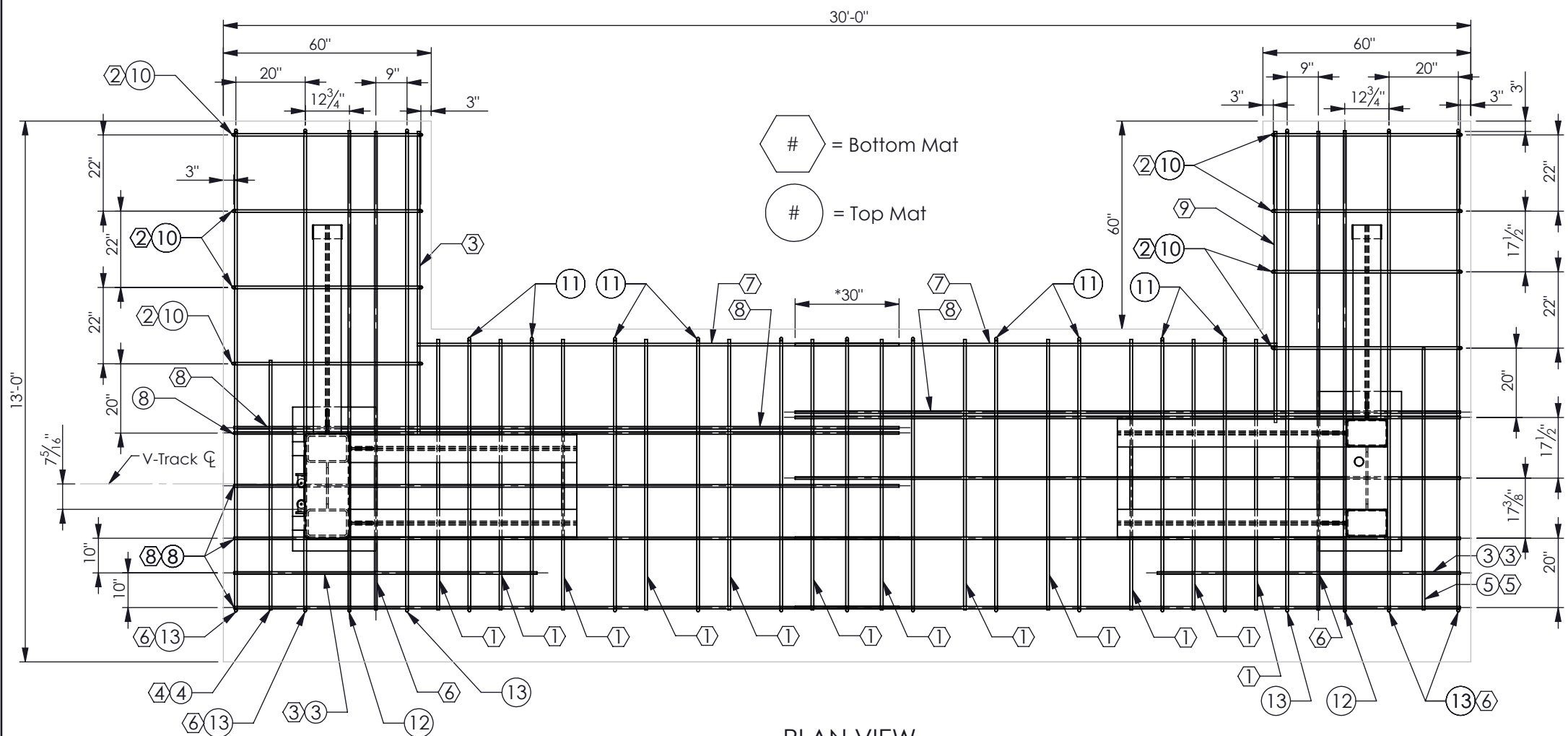
- For additional information contact Gibraltar at 1-800-495-8957.
- All concrete shall be per specification; minimum 3500PSI.
- Foundation reinforced with #6 rebar, rebar drawings available upon request.
- The foundation dimensions shown represent the minimum requirements for the Shallow Foundation G-5500 Anti-Ram Sliding Crash Gate.
- All welded joints by welders certified in accordance with AWS D1.1 welding code.
- The G-5500 Anti-Ram Sliding Crash Gate is tested and certified to ASTM F-2656-07 test specifications for a M-50 P2 rating. Gate fascia can be ornamental iron, palisade, or other anti-personnel design.

PATENT PENDING

PROPRIETARY AND CONFIDENTIAL THE INFORMATION CONTAINED IN THIS DRAWING IS THE SOLE PROPERTY OF GIBRALTAR. ANY REPRODUCTION IN PART OR AS A WHOLE WITHOUT THE WRITTEN PERMISSION OF GIBRALTAR IS PROHIBITED.				
REV #	DESCRIPTION:	DRAWN BY:	APPD BY:	DATE:
01	Approved for distribution	EJ	BN	10-24-16
00	Issued for approval	EJ	JP	10-18-16

PRODUCT:  
**G-5500 Anti-Ram Sliding Crash Gate**

SHEET DESCRIPTION: <b>24ft LH Shallow Foundation</b>		
PROJECT: <b>STANDARD</b>		
SCALE: 1:45	SHEET: 1 OF 1	DWG # G550-M5P2-SL01

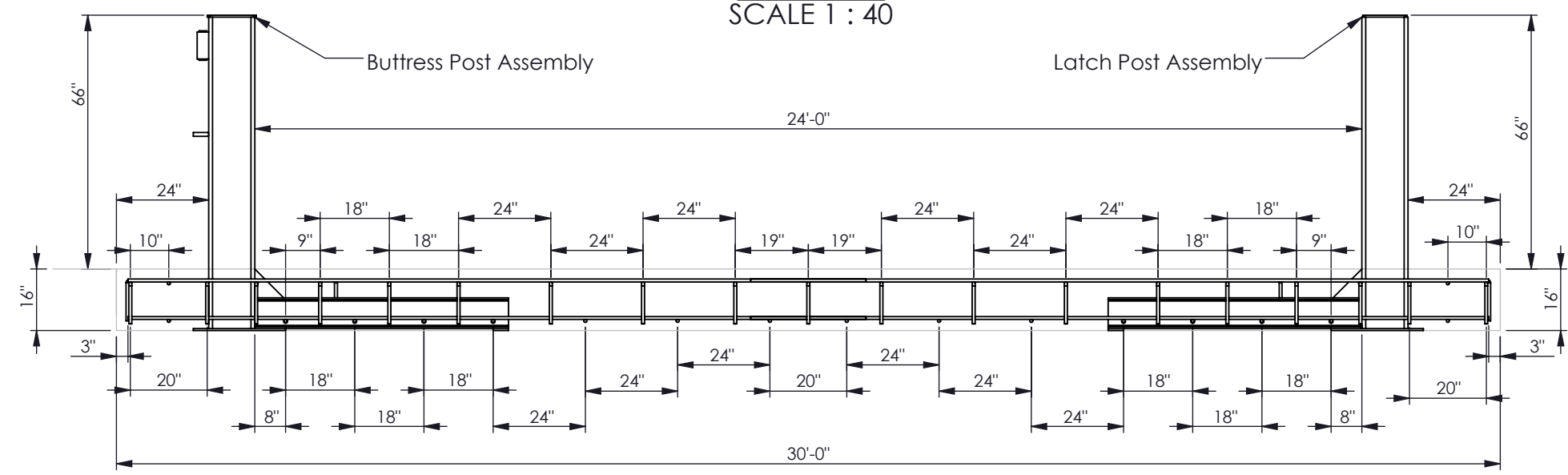


PLAN VIEW  
SCALE 1 : 40

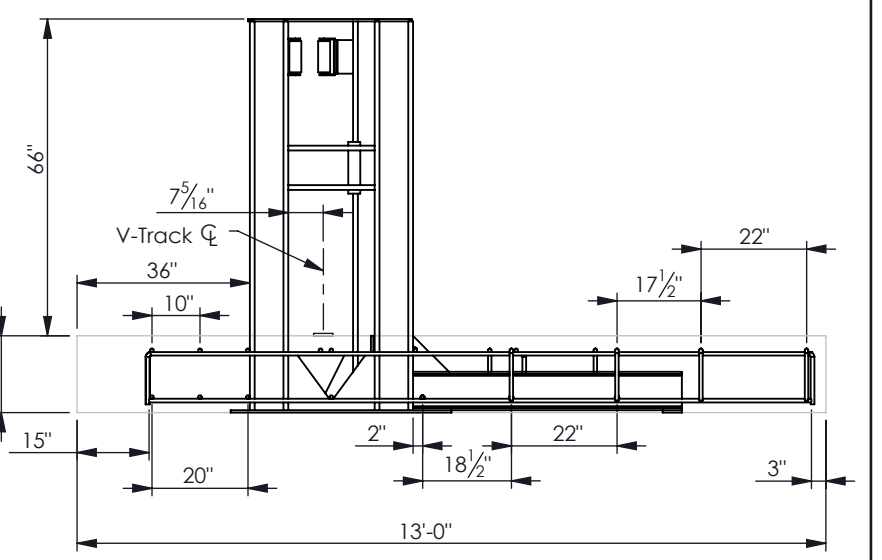
ITEM NO.	DESCRIPTION	Material	QTY.
1	6ft-6in	#6 Rebar	12
2	4ft-6in	#6 Rebar	8
3	7ft-3.5in	#6 Rebar	5
4	6ft-0in	#6 Rebar	2
5	6ft-3.5in	#6 Rebar	2
6	11ft-6in	#6 Rebar	6
7	11ft-7in	#6 Rebar	4
8	16ft-0in	#6 Rebar	16
9	7ft-0in	#6 Rebar	1
10	6ft-3.25in Bent	#6 Rebar	8
11	8ft-3.5in Bent	#6 Rebar	11
12	12ft-5in Bent	#6 Rebar	2
13	13ft-3.5in Bent	#6 Rebar	6

**GENERAL NOTES**

1. For additional information contact Gibraltar at 1-800-495-8957.
2. All concrete shall be per specification; minimum 3500PSI (with fiber provided by Gibraltar).
3. Foundation reinforced with #6 rebar.
4. Overlap and tie together minimum 30" for continuous rebar.\*
5. The foundation dimensions shown represent the minimum requirements for the G-5500 Anti-Ram Sliding Crash Gate.

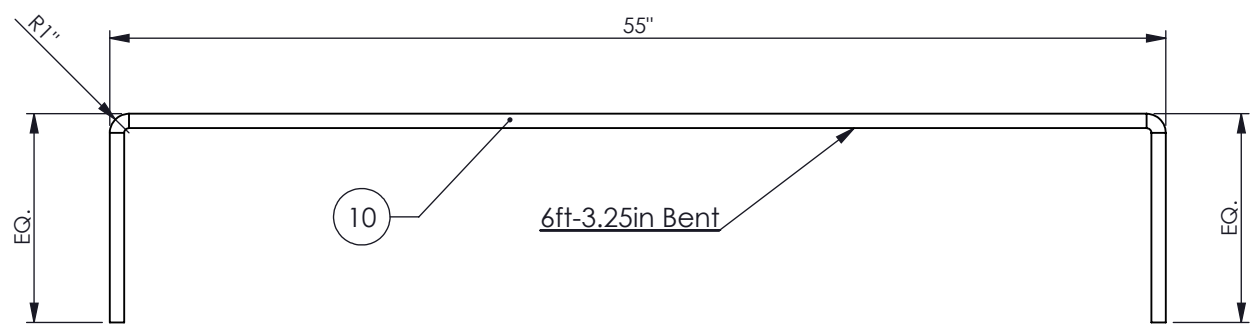
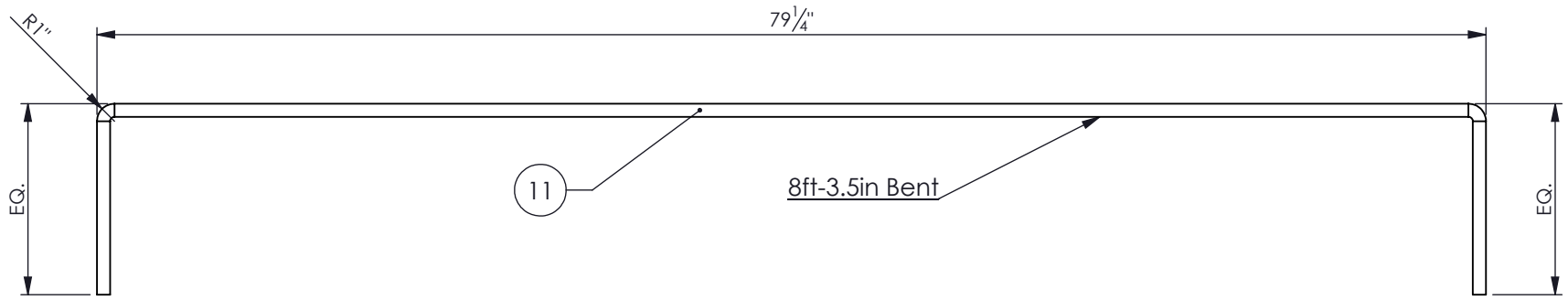
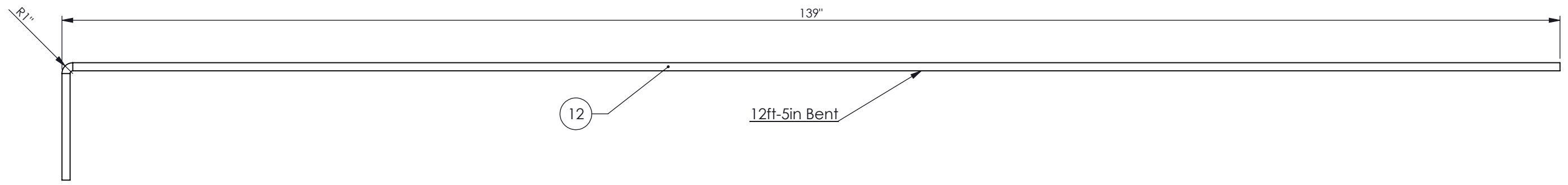
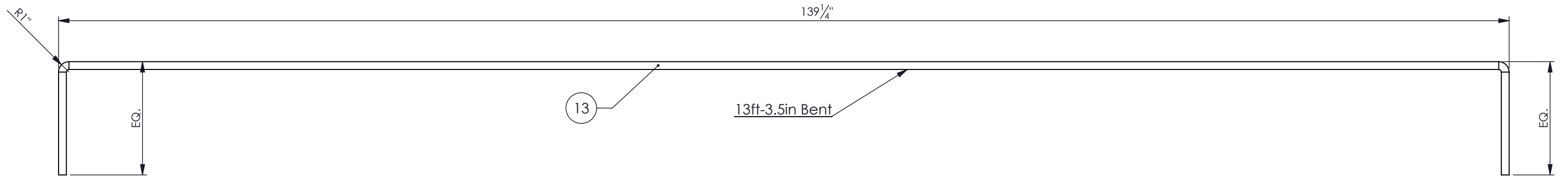


ELEVATION VIEW  
SCALE 1 : 40



SIDE ELEVATION VIEW  
SCALE 1 : 40

PROPRIETARY AND CONFIDENTIAL THE INFORMATION CONTAINED IN THIS DRAWING IS THE SOLE PROPERTY OF GIBRALTAR. ANY REPRODUCTION IN PART OR AS A WHOLE WITHOUT THE WRITTEN PERMISSION OF GIBRALTAR IS PROHIBITED.				PRODUCT: <b>G-5500 Anti-Ram Sliding Crash Gate</b>		SHEET DESCRIPTION: <b>Rebar Layout</b>		
REV # 1 0	DESCRIPTION: Approved for distribution Issued for approval	DRAWN BY: EJ	APPD BY: JP	DATE: 10-24-16 10-18-16				PROJECT: <b>STANDARD</b>
								SCALE: 1:40



PROPRIETARY AND CONFIDENTIAL  
 THE INFORMATION CONTAINED IN THIS DRAWING IS THE SOLE PROPERTY  
 OF GIBRALTAR. ANY REPRODUCTION IN PART OR AS A WHOLE WITHOUT THE  
 WRITTEN PERMISSION OF GIBRALTAR IS PROHIBITED.

REV #	DESCRIPTION:	DRAWN BY:	APPD BY:	DATE:
1	Approved for distribution	EJ	JP	10-24-16
0	Issued for approval	EJ	JP	10-18-16

PRODUCT:  
**G-5500 Anti-Ram  
 Sliding Crash Gate**

SHEET DESCRIPTION:  
**Bent Rebar Details**

PROJECT:  
**STANDARD**

SCALE: 1:10	SHEET: 2 OF 2	DWG # G550-M5P2-SL02
----------------	------------------	-------------------------