

REINFORCEMENT PLAN

SCALE: NTS

PER: ASTM 2656-07, SPECIFICALLY 7.2.2;
 THE FOUNDATION SHALL BE POURED ON UNDISTURBED SOIL, OR CONTROLLED AND COMPACTED FILL TO A DENSITY OF NOT LESS THAN 90% MAXIMUM DRY DENSITY IN ACCORDANCE WITH TEST METHODS D1556 AND D2922 AND AASHTO METHOD OF TEST T099.

SIDES OF FOUNDATION SHALL BE FORMED IN EXCAVATED MAT'L., IF POSSIBLE. OTHERWISE, SIDEWALLS SHALL BE FORMED WITH INDICATED DIMENSIONS. ALL BACKFILL MATERIAL AND REPLACEMENT METHODS MUST COMPLY WITH STATED CODES LISTED ABOVE.

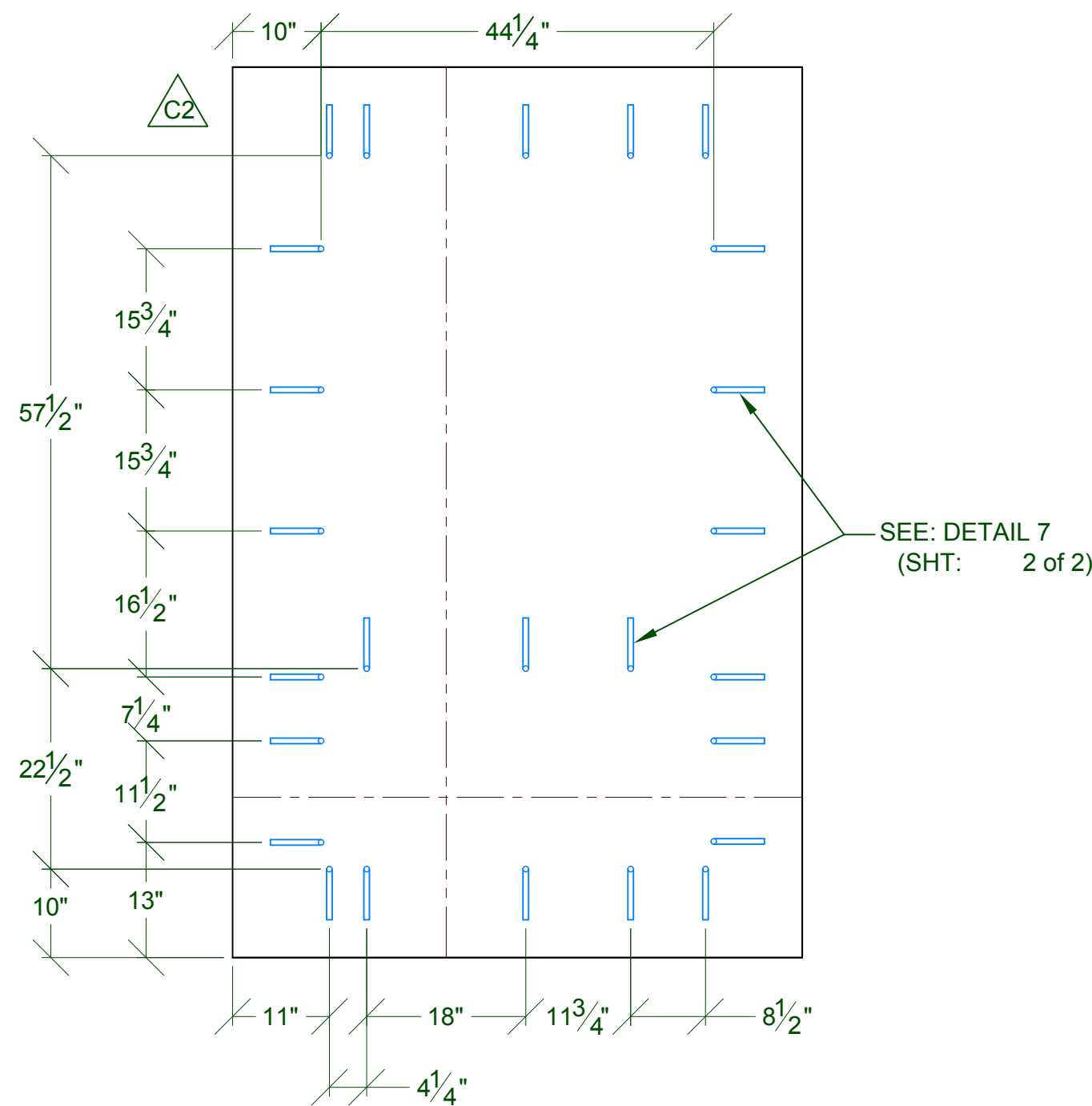
INSTALL REBAR ITEMS 5, 6, AND 7 WITH FIRST 6" CONC. LEVELING PAD POUR, BEFORE INSERTING THE STEEL BOLSTER ASSEMBLY AND FINAL REBAR.

ALL CONCRETE SHALL BE A CONTROLLED STONE GRAVEL MIX PRODUCED, TESTED, TRANSPORTED, PROTECTED, AND PLACED IN ACCORDANCE WITH THE LATEST AMERICAN CONCRETE INSTITUTE RECOMMENDATIONS. FOLLOW ACI RECOMMENDATIONS FOR CURING AND MIX DESIGN WITH CONSIDERATION FOR CLIMATE AND CONDITIONS.

OPTIMUM CONCRETE MIX: 4000 PSI COMPRESSIVE STRENGTH.
 MINIMUM 600 LB./CU.YD. CEMENT CONTENT
 MAXIMUM 0.50 WATER CONTENT.
 6% AIR CONTENT
 4" SLUMP

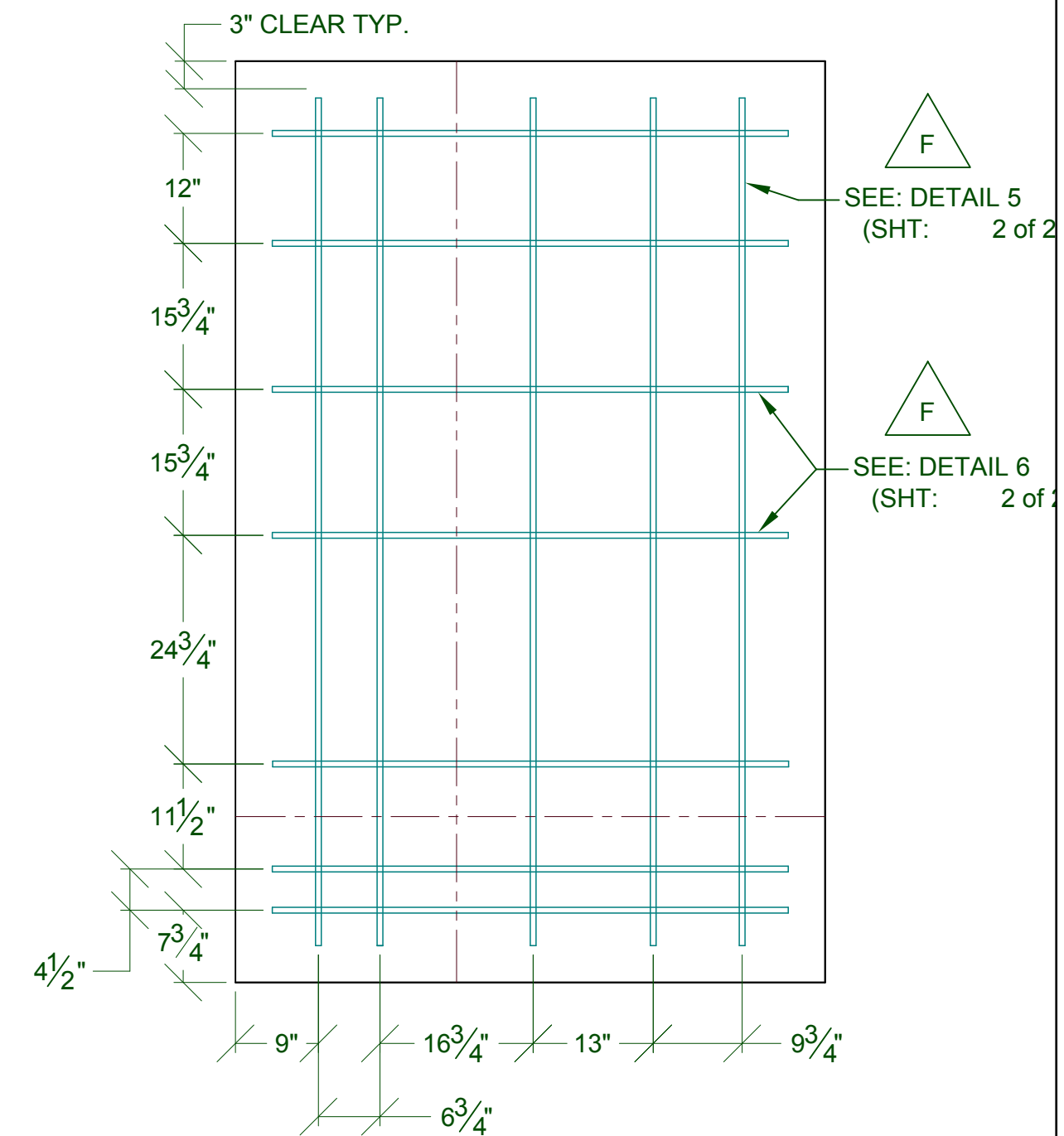
REINFORCING STEEL SHALL BE DEFORMED BARS (ASTM A-615) WITH A MINIMUM YIELD STRENGTH OF 60,000 PSI.

CHAMFER ALL EXPOSED CONCRETE EDGES 3/4".



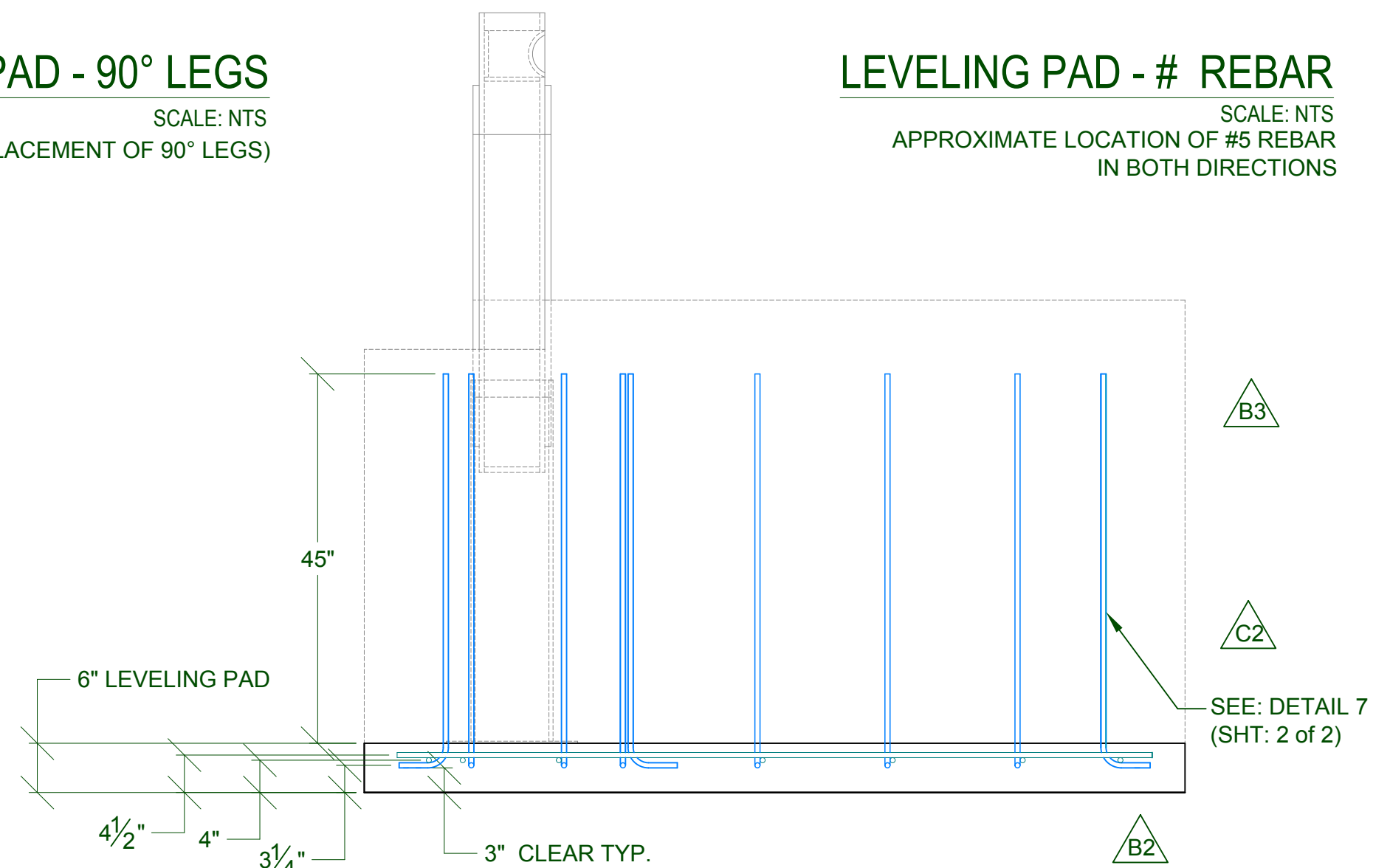
LEVELING PAD - 90° LEGS

SCALE: NTS
 (PLACEMENT OF 90° LEGS)



LEVELING PAD - # REBAR

SCALE: NTS
 APPROXIMATE LOCATION OF #5 REBAR
 IN BOTH DIRECTIONS



LEVELING PAD REINFORCEMENT PLAN SECTION

SCALE: NTS

Rev.:	Revisions:	Date:	Drn. By:	Ckd. By:	Rev.:	Revisions:	Date:	Drn. By:	Ckd. By:
F	STRAIGHT REBAR #5 WAS 94" LG. & #6 WAS 58" LG.	07/18/14	MKS	EGS	C	Changed the rebar style from T1 to S3 per ECR 010-13	1/28/13	SLD	KLL
E	ADDED NOTE THAT ALL REBAR IS TO BE #5	12/12/13	MKS	DMR	B3	Changed the rebar style	12/27/12	SLD	KLL
D	L/H in titleblock was wrong - corrected the hand to R/H	10/02/13	MKS	DMR	B2	Changed leveling pad from 3" to 6"	08/24/12	MKS	DMR
C2	Changed location of Item 7 hook	1/28/13	SLD	KLL	B1	Changed pad shape	08/24/12	MKS	DMR
C1	Added rebar hook	1/28/13	SLD	KLL	A	Revised - Engineered K4 Crash Foundation Details	12/22/08	MKS	DMR

DO NOT SCALE
NOTICE
 THE INFORMATION CONTAINED ON THIS DOCUMENT IS CONFIDENTIAL. ANY DISSEMINATION, UNAPPROVED DISCLOSURE OR COPYING OF THIS INFORMATION IS STRICTLY PROHIBITED.
 UNLESS OTHERWISE SPECIFIED DIMENSIONS ARE IN INCHES
 ANGLES ± 1°
 XX ± 1/32, .XX ± .01, .XXX ± .005

Date: 12/27/12
 Drn. By: SLD
 Ckd. By: KLL
 Dwg.: M-30 FOUNDATION-Pad Details-OperEnd-R/H
 Title: M-30 SHIELD Crash Gate Foundation-OperEnd

PER: ASTM 2656-07, SPECIFICALLY 7.2.2;
 THE FOUNDATION SHALL BE POURED ON UNDISTURBED SOIL, OR CONTROLLED AND COMPACTED FILL TO A DENSITY OF NOT LESS THAN 90% MAXIMUM DRY DENSITY IN ACCORDANCE WITH TEST METHODS D1556 AND D2922 AND AASHTO METHOD OF TEST T099.

SIDES OF FOUNDATION SHALL BE FORMED IN EXCAVATED MAT'L., IF POSSIBLE. OTHERWISE, SIDEWALLS SHALL BE FORMED WITH INDICATED DIMENSIONS. ALL BACKFILL MATERIAL AND REPLACEMENT METHODS MUST COMPLY WITH STATED CODES LISTED ABOVE.

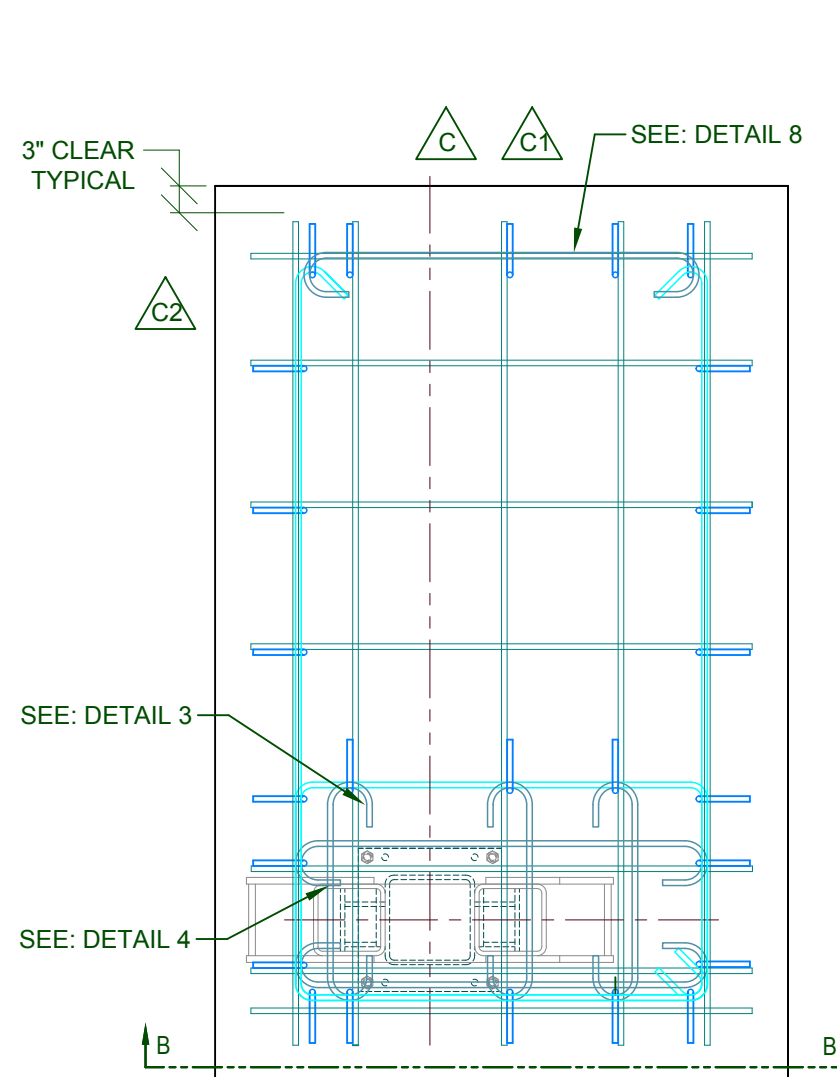
INSTALL REBAR ITEMS 5, 6, AND 7 WITH FIRST 6" CONC. LEVELING PAD POUR, BEFORE INSERTING THE STEEL BOLSTER ASSEMBLY AND FINAL REBAR.

ALL CONCRETE SHALL BE A CONTROLLED STONE GRAVEL MIX PRODUCED, TESTED, TRANSPORTED, PROTECTED, AND PLACED IN ACCORDANCE WITH THE LATEST AMERICAN CONCRETE INSTITUTE RECOMMENDATIONS. FOLLOW ACI RECOMMENDATIONS FOR CURING AND MIX DESIGN WITH CONSIDERATION FOR CLIMATE AND CONDITIONS.

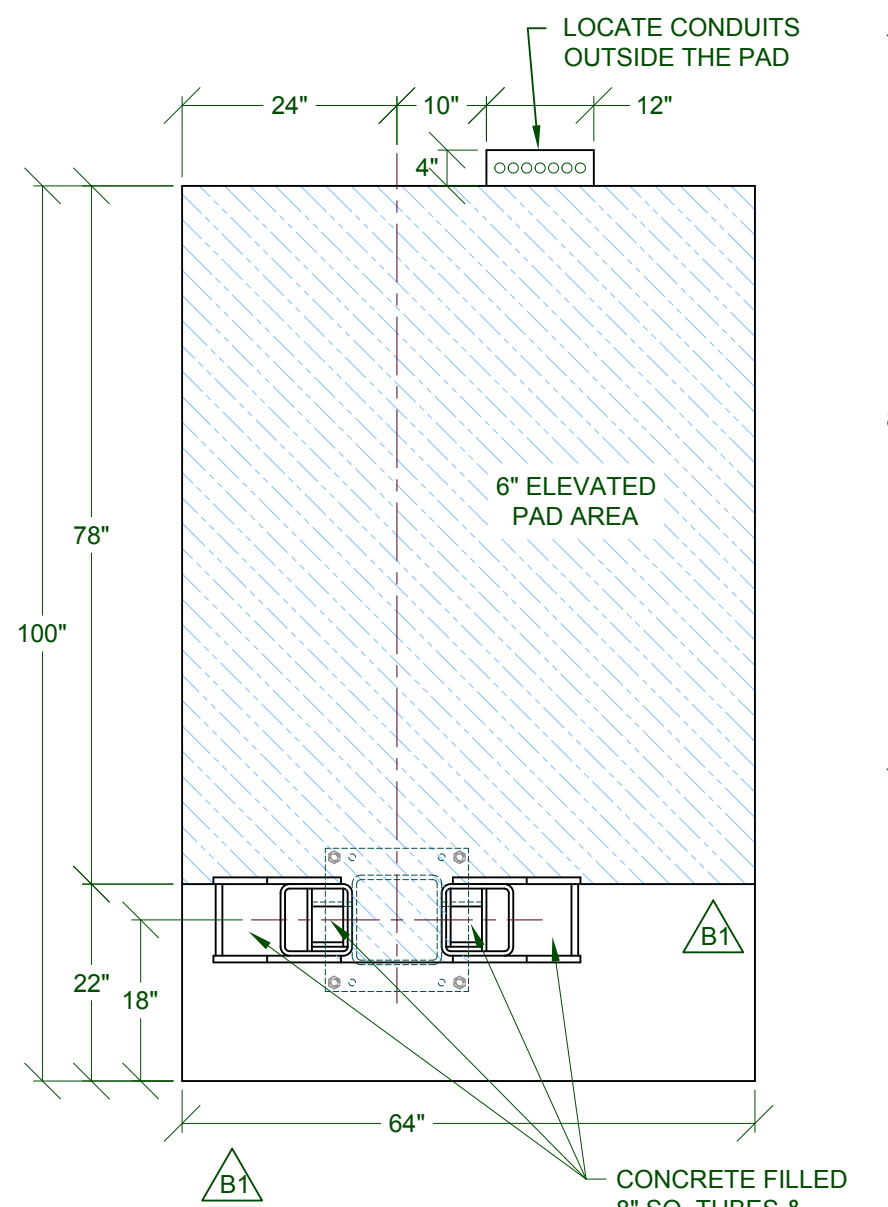
OPTIMUM CONCRETE MIX: 4000 PSI COMPRESSIVE STRENGTH.
 MINIMUM 600 LB./CU.YD. CEMENT CONTENT
 MAXIMUM 0.50 WATER CONTENT.
 6% AIR CONTENT
 4" SLUMP

REINFORCING STEEL SHALL BE DEFORMED BARS (ASTM A-615) WITH A MINIMUM YIELD STRENGTH OF 60,000 PSI.

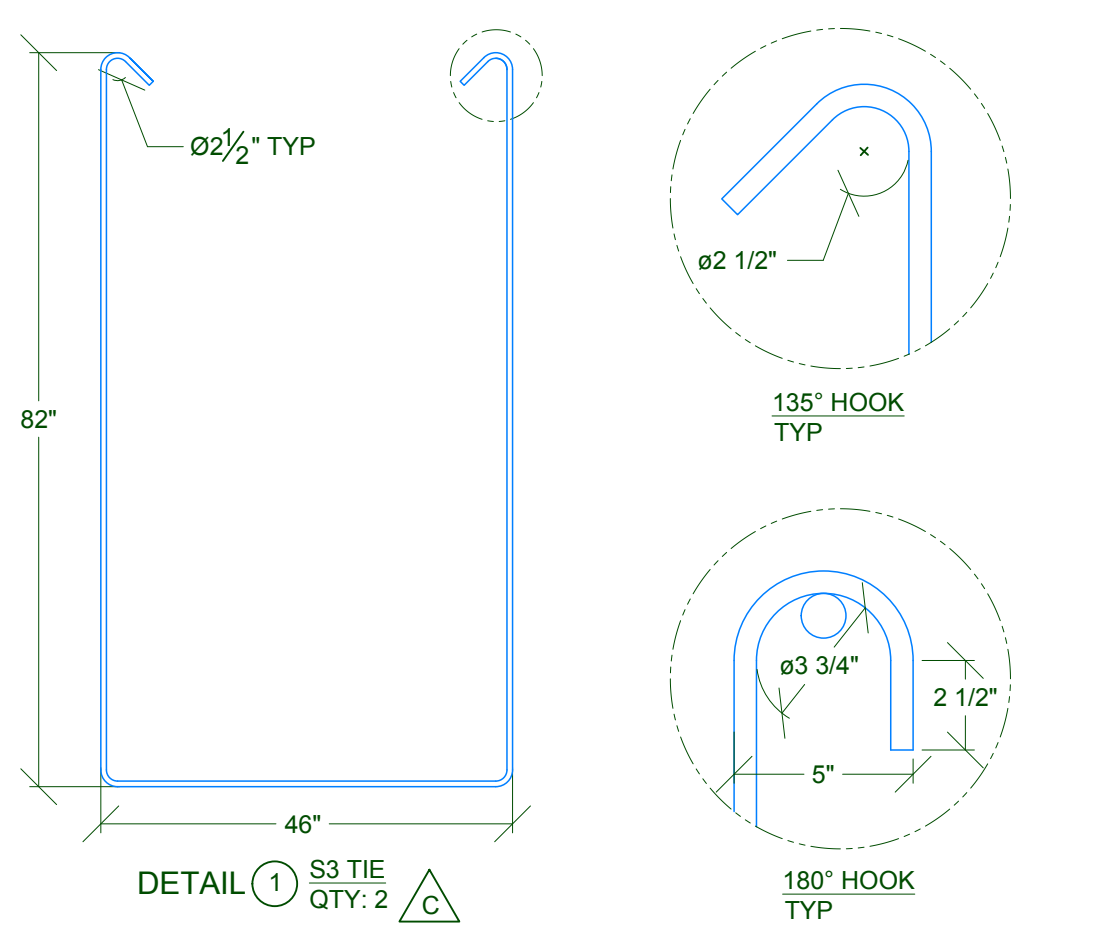
CHAMFER ALL EXPOSED CONCRETE EDGES 3/4".



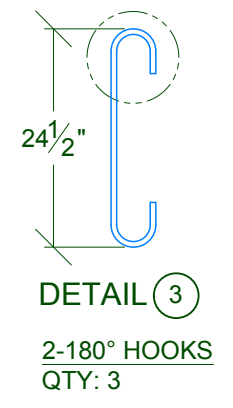
REINFORCEMENT PLAN
 SCALE: NTS



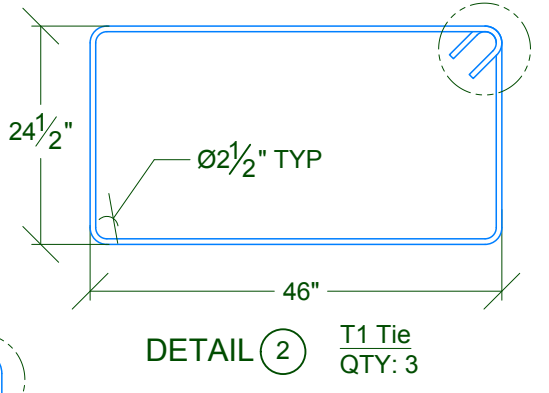
PLAN VIEW
 SCALE: NTS



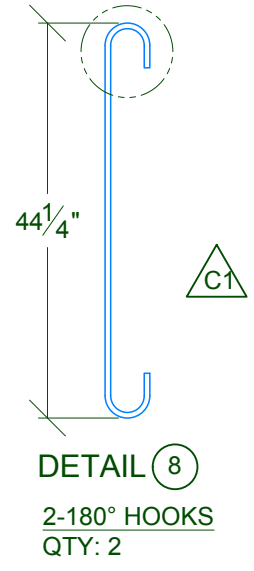
DETAIL 1
 S3 TIE
 QTY: 2



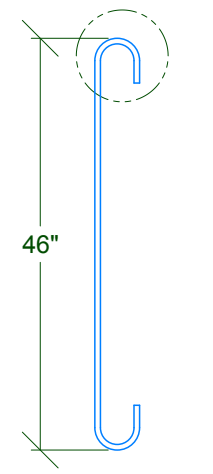
DETAIL 3
 2-180° HOOKS
 QTY: 3



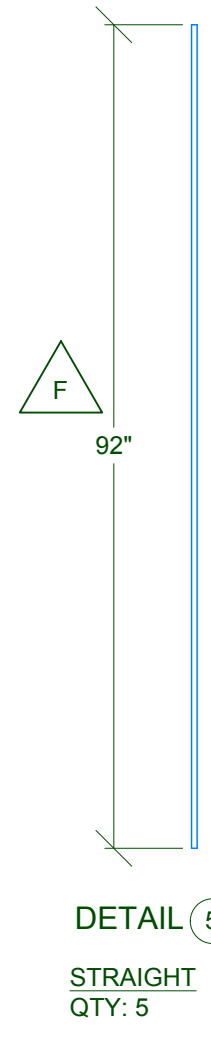
DETAIL 2
 T1 Tie
 QTY: 3



DETAIL 8
 2-180° HOOKS
 QTY: 2



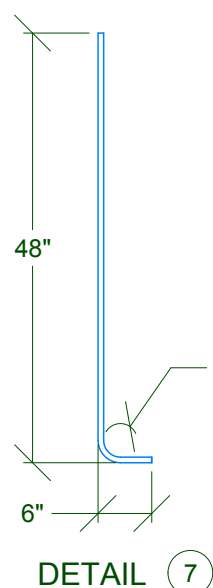
DETAIL 4
 2-180° HOOKS
 QTY: 2



DETAIL 5
 STRAIGHT
 QTY: 5

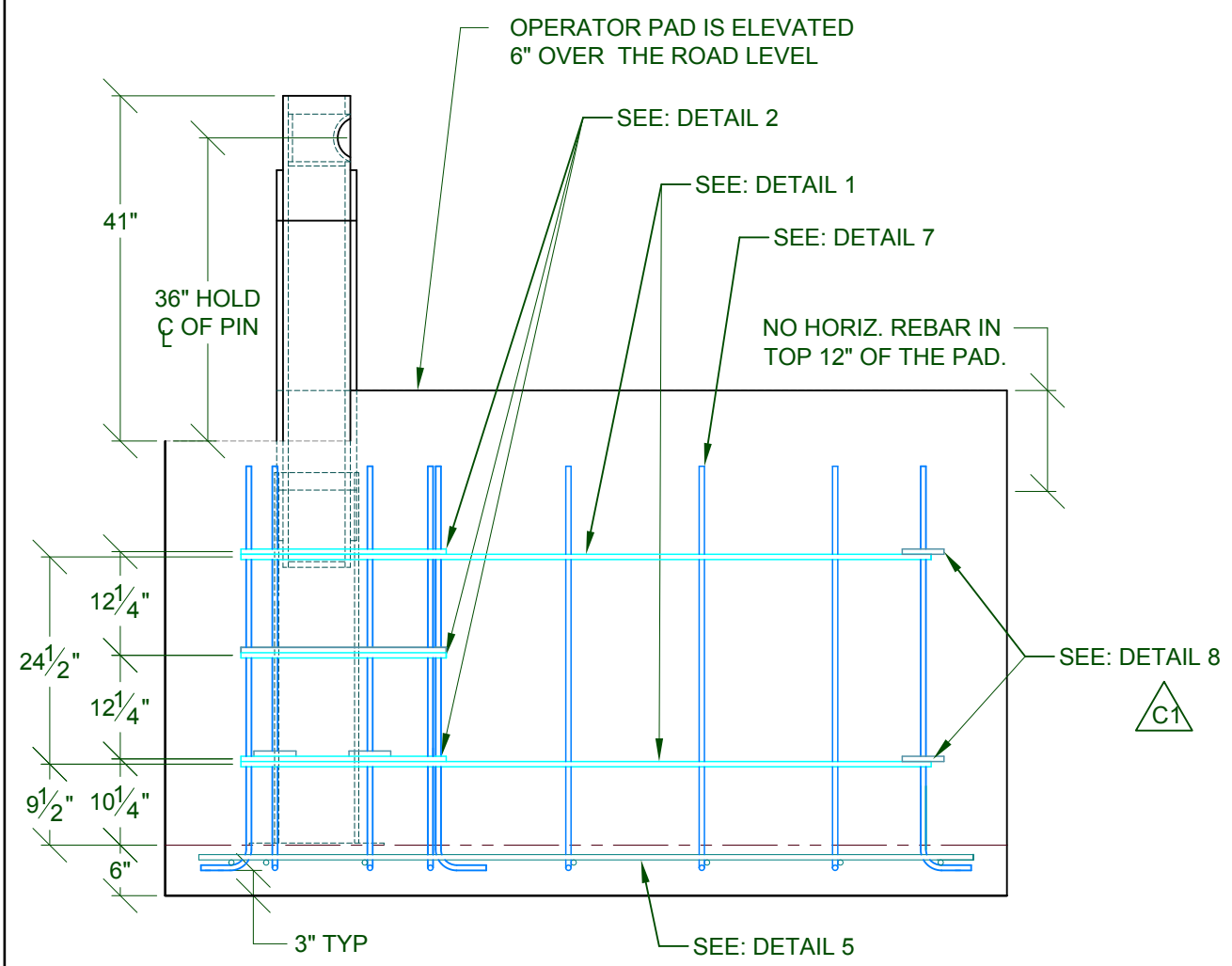


DETAIL 6
 STRAIGHT
 QTY: 7

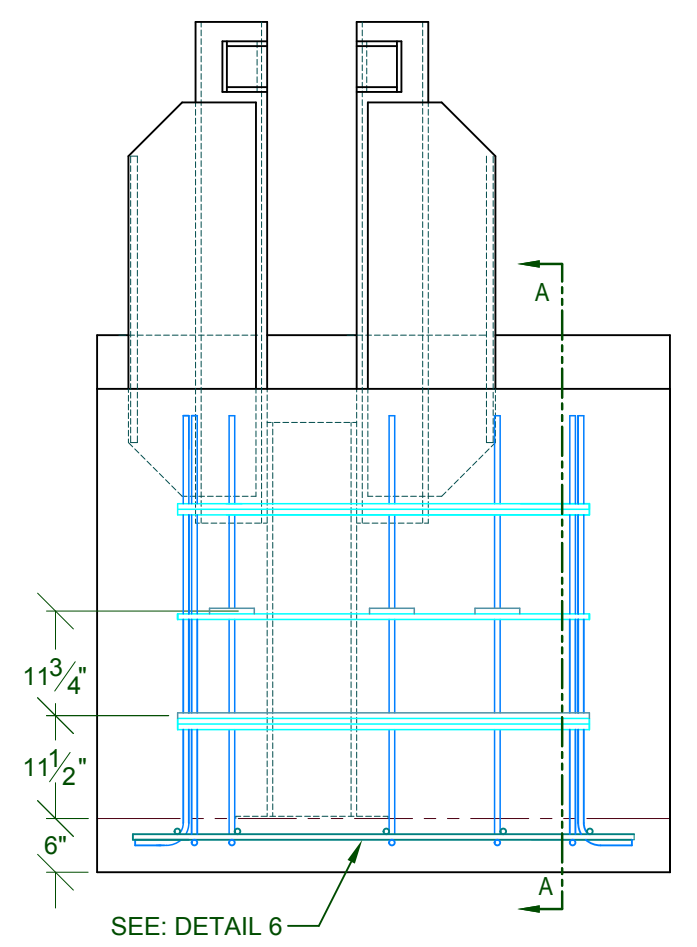


DETAIL 7
 90° LEG
 QTY: 22

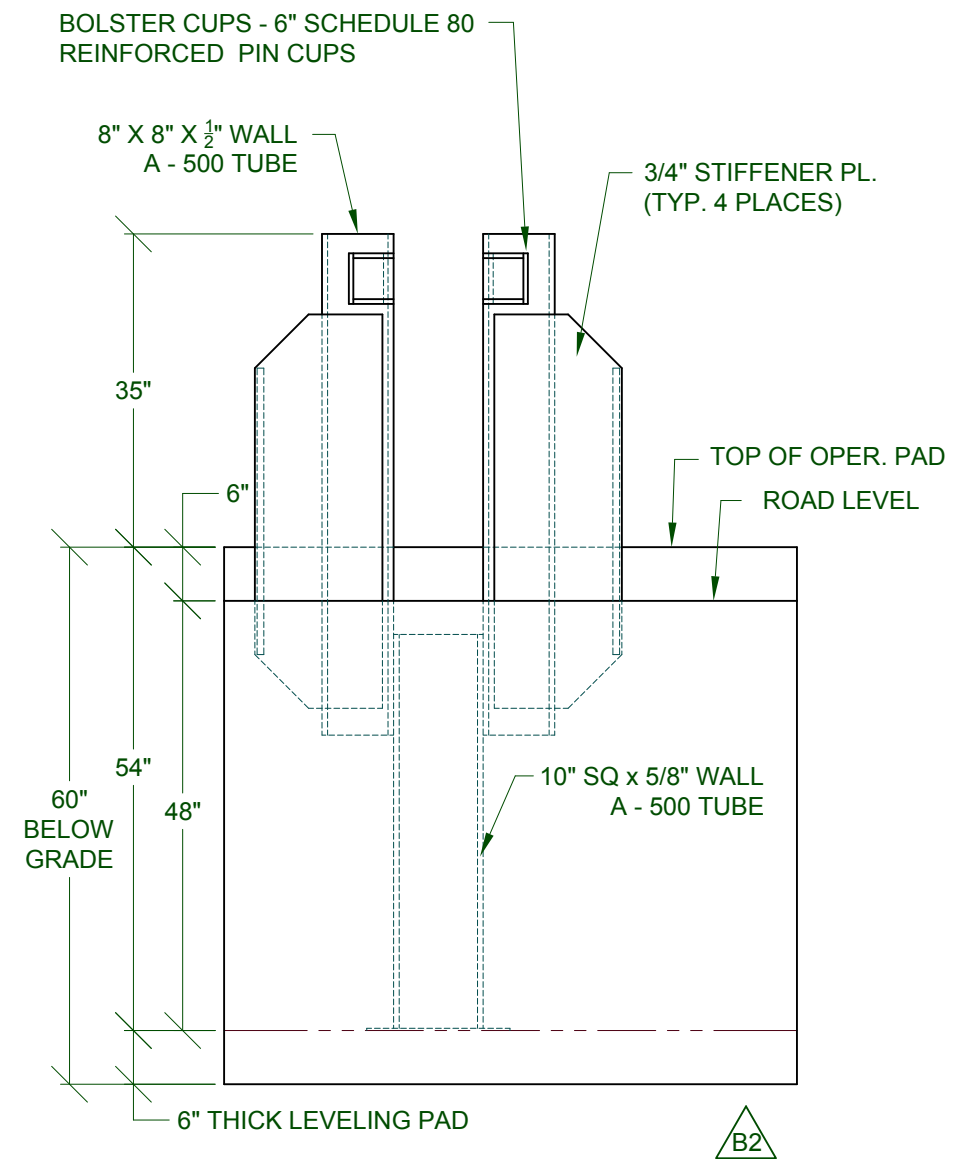
NOTE: ALL REBAR TO BE #5



REINFORCEMENT SECTION "A-A"
 SCALE: NTS



REINFORCEMENT SECTION "B-B"
 SCALE: NTS



ELEVATION VIEW
 SCALE: NTS

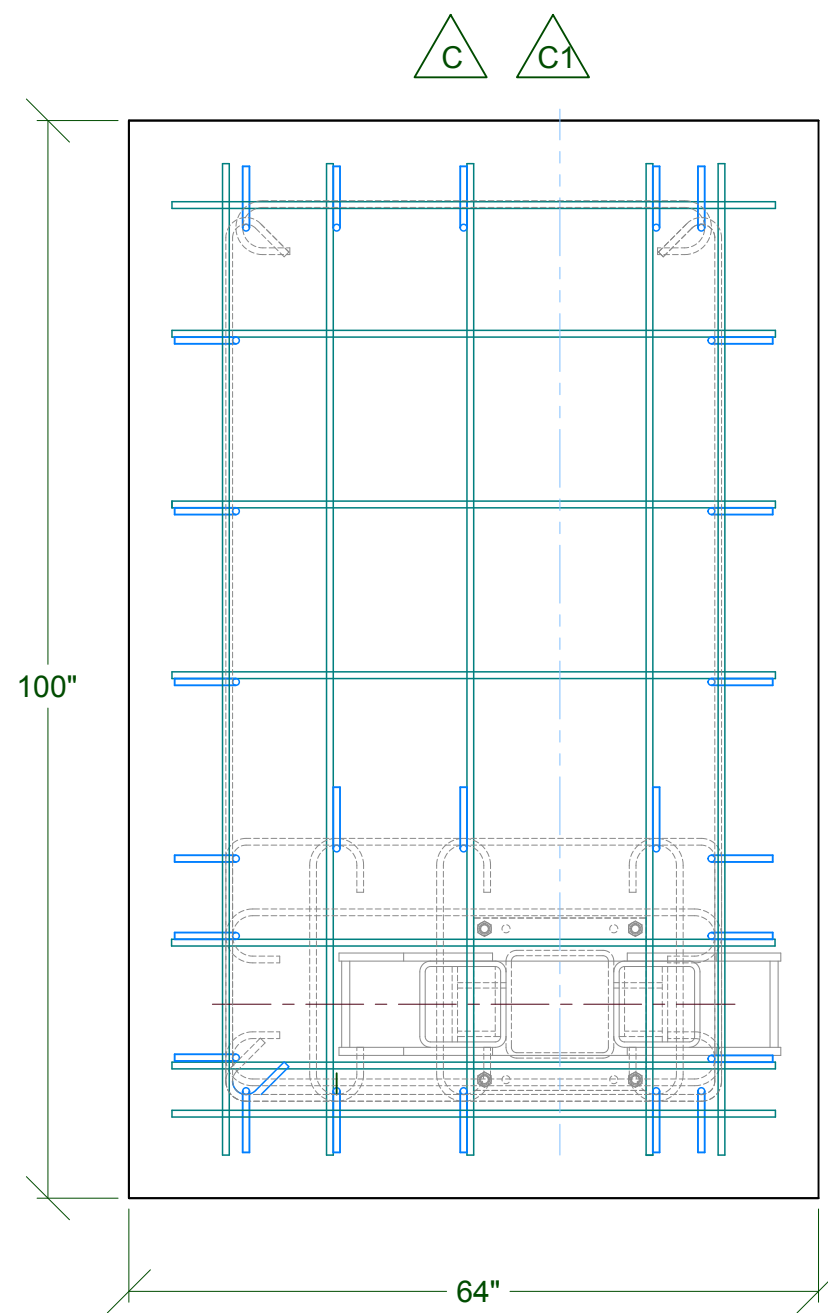
Rev.:	Revisions:	Date:	Drn. By:	Ckd. By:	Rev.:	Revisions:	Date:	Drn. By:	Ckd. By:
F	STRAIGHT REBAR #5 WAS 94" LG. & #6 WAS 58" LG.	07/18/14	MKS	EGS	C	Changed the rebar style from T1 to S3 per ECR 010-13	1/28/13	SLD	KLL
E	ADDED NOTE THAT ALL REBAR IS TO BE #5	12/12/13	MKS	DMR	B3	Changed the rebar style	12/27/12	SLD	KLL
D	L/H in titleblock was wrong - corrected the hand to R/H	10/03/13	MKS	DMR	B2	Changed leveling pad from 3" to 6"	08/24/12	MKS	DMR
C2	Changed location of Item 7 hook	1/28/13	SLD	KLL	B1	Changed pad shape	08/24/12	MKS	DMR
C1	Added rebar hook	1/28/13	SLD	KLL	A	Revised - Engineered K4 Crash Foundation Details	12/22/08	MKS	DMR

DO NOT SCALE

NOTICE
 THE INFORMATION CONTAINED ON THIS DOCUMENT IS CONFIDENTIAL. ANY DISSEMINATION, UNAPPROVED DISCLOSURE OR COPYING OF THIS INFORMATION IS STRICTLY PROHIBITED.
 UNLESS OTHERWISE SPECIFIED DIMENSIONS ARE IN INCHES
 ANGLES ± 1°
 X/X ± 1/32, .XX ± .01, .XXX ± .005

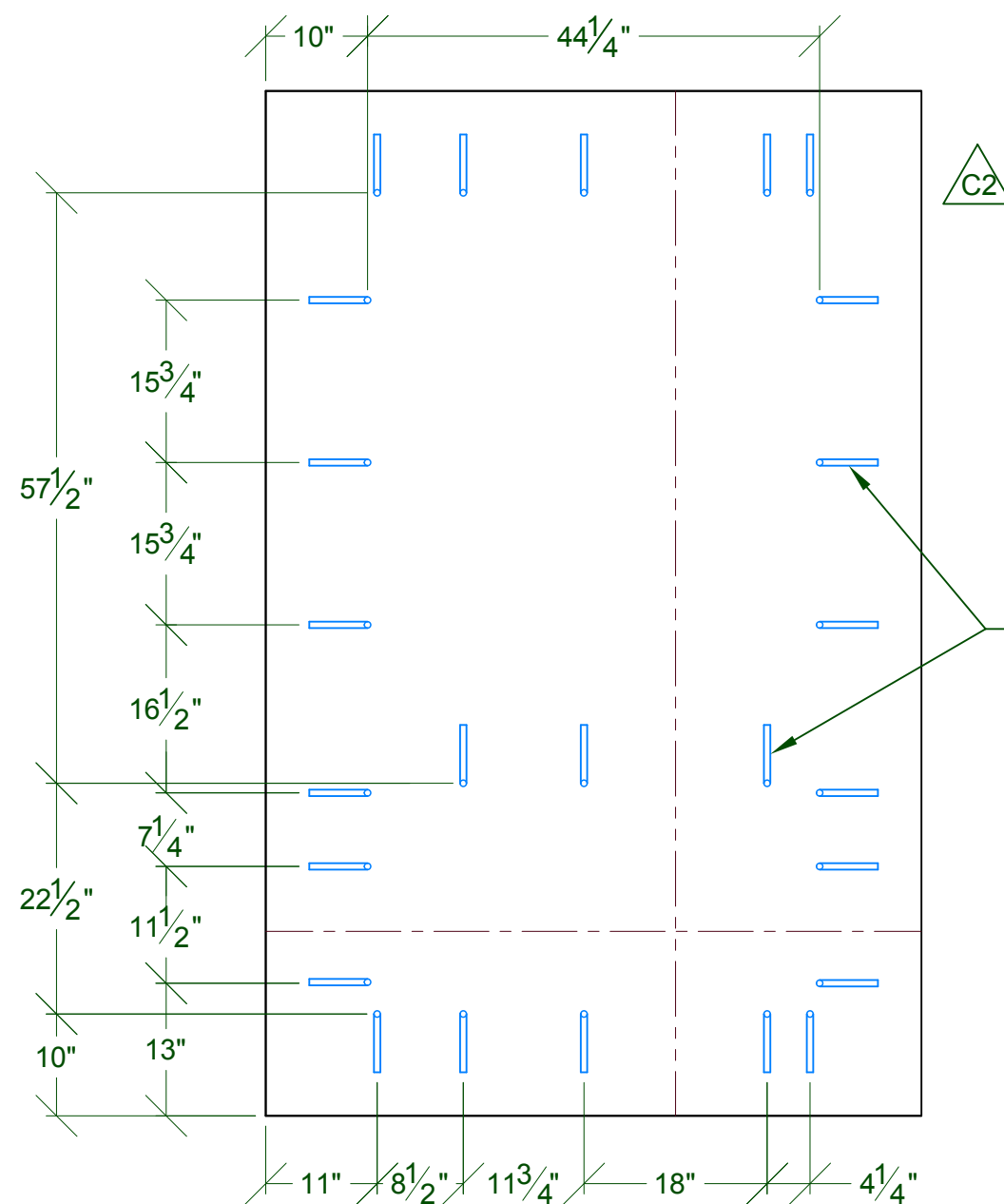
Date: 12/27/12
 Drn. By: SLD
 Ckd. By: KLL
 Dwg.: M-30 FOUNDATION-OperEnd-R/H
 Title: M-30 SHIELD Crash Gate Foundation-OperEnd

AG AutoGate
 Gate Entry Systems
 Berlin Heights, Ohio
 FAX (419) 588-3514



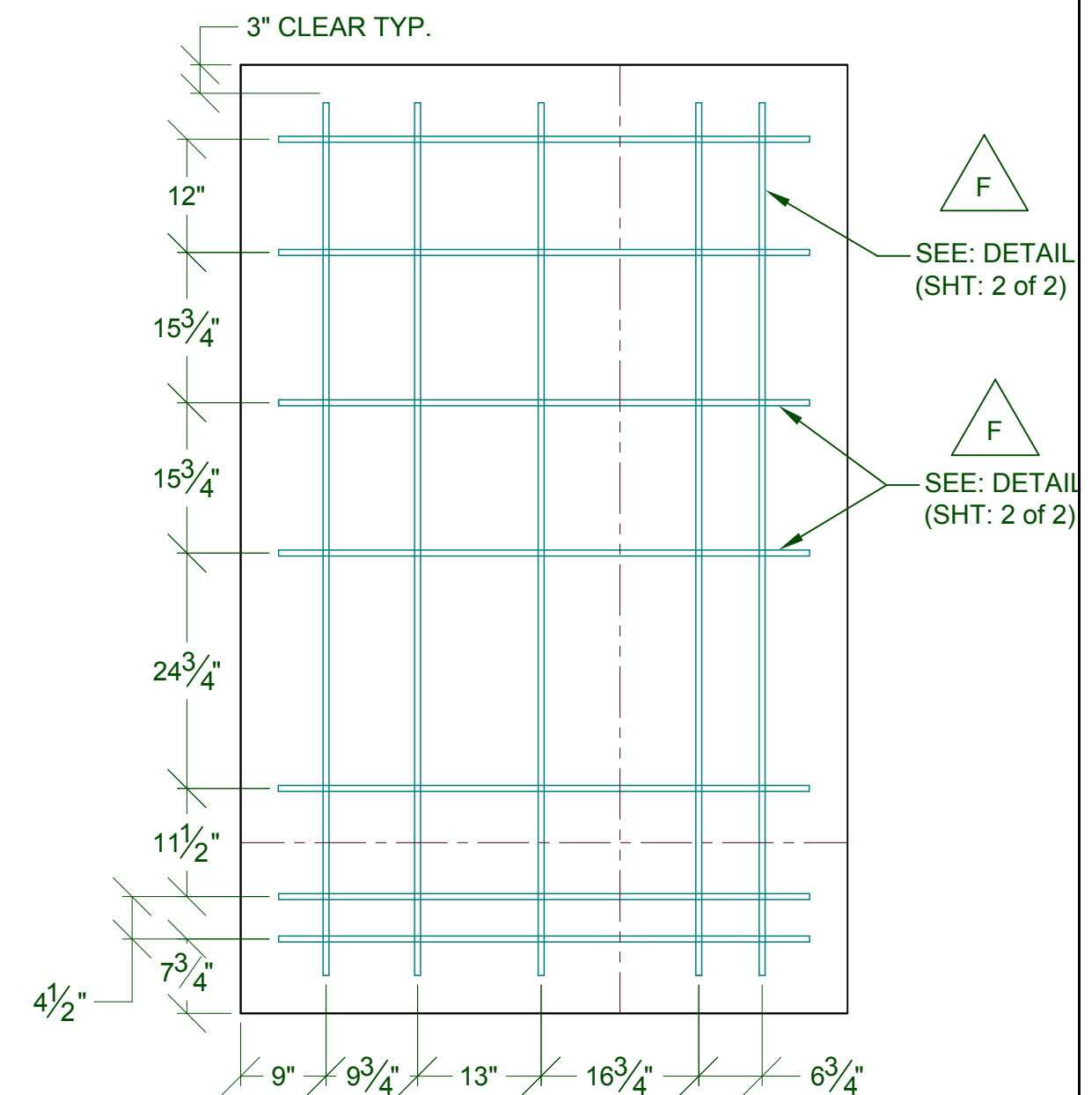
REINFORCEMENT PLAN

SCALE: NTS



LEVELING PAD - 90° LEGS

SCALE: NTS
(PLACEMENT OF 90° LEGS)



LEVELING PAD - # REBAR

SCALE: NTS
APPROXIMATE LOCATION OF #5 REBAR
IN BOTH DIRECTIONS

PER: ASTM 2656-07, SPECIFICALLY 7.2.2;
THE FOUNDATION SHALL BE POURED ON UNDISTURBED SOIL, OR CONTROLLED AND COMPACTED FILL TO A DENSITY OF NOT LESS THAN 90% MAXIMUM DRY DENSITY IN ACCORDANCE WITH TEST METHODS D1556 AND D2922 AND AASHTO METHOD OF TEST T099.

SIDES OF FOUNDATION SHALL BE FORMED IN EXCAVATED MAT'L., IF POSSIBLE. OTHERWISE, SIDEWALLS SHALL BE FORMED WITH INDICATED DIMENSIONS. ALL BACKFILL MATERIAL AND REPLACEMENT METHODS MUST COMPLY WITH STATED CODES LISTED ABOVE.

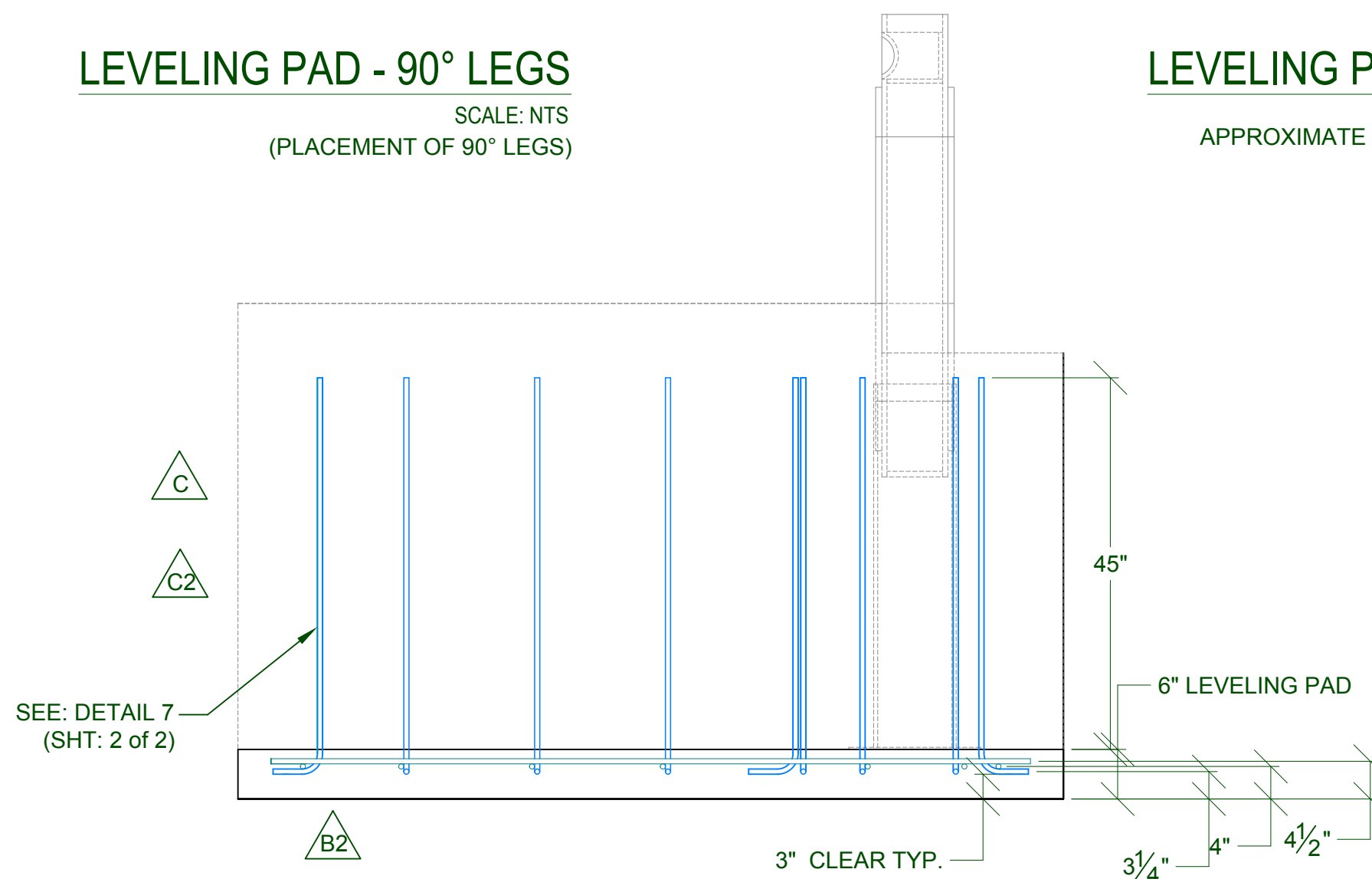
INSTALL REBAR ITEMS 5, 6, AND 7 WITH FIRST 6" CONC. LEVELING PAD POUR, BEFORE INSERTING THE STEEL BOLSTER ASSEMBLY AND FINAL REBAR.

ALL CONCRETE SHALL BE A CONTROLLED STONE GRAVEL MIX PRODUCED, TESTED, TRANSPORTED, PROTECTED, AND PLACED IN ACCORDANCE WITH THE LATEST AMERICAN CONCRETE INSTITUTE RECOMMENDATIONS. FOLLOW ACI RECOMMENDATIONS FOR CURING AND MIX DESIGN WITH CONSIDERATION FOR CLIMATE AND CONDITIONS.

OPTIMUM CONCRETE MIX: 4000 PSI COMPRESSIVE STRENGTH.
MINIMUM 600 LB./CU.YD. CEMENT CONTENT
MAXIMUM 0.50 WATER CONTENT.
6% AIR CONTENT
4" SLUMP


REINFORCING STEEL SHALL BE DEFORMED BARS (ASTM A-615) WITH A MINIMUM YIELD STRENGTH OF 60,000 PSI.

CHAMFER ALL EXPOSED CONCRETE EDGES 3/4".



LEVELING PAD REINFORCEMENT PLAN SECTION

SCALE: NTS

Rev.:	Revisions:	Date:	Drn. By:	Ckd. By:	Rev.:	Revisions:	Date:	Drn. By:	Ckd. By:	DO NOT SCALE NOTICE THE INFORMATION CONTAINED ON THIS DOCUMENT IS CONFIDENTIAL. ANY DISSEMINATION, UNAPPROVED DISCLOSURE OR COPYING OF THIS INFORMATION IS STRICTLY PROHIBITED. UNLESS OTHERWISE SPECIFIED DIMENSIONS ARE IN INCHES ANGLES ± 1° XX ± 1/32, .XX ± .01, .XXX ± .005	Date:	 AutoGate Gate Entry Systems Berlin Heights, Ohio FAX (419) 588-3514
F	STRAIGHT REBAR #5 WAS 94" LG. & #6 WAS 58" LG.	07/18/14	MKS	EGS	C	Changed the rebar style from T1 to S3 per ECR 010-13	1/28/13	SLD	KLL		Date: 12/27/12	
E	ADDED NOTE THAT ALL REBAR IS TO BE #5	12/12/13	MKS	DMR	B3	Changed the rebar style	12/27/12	SLD	KLL	Drn. By: SLD		
D	R/H in titleblock was wrong - corrected the hand to L/H	10/02/13	MKS	DMR	B2	Changed leveling pad from 3" to 6"	08/24/12	MKS	DMR	Ckd. By: KLL		
C2	Changed location of Item 7 hook	1/28/13	SLD	KLL	B1	Changed pad shape	08/24/12	MKS	DMR	Dwg.: M-30 FOUNDATION-Pad Details-OperEnd-L/H		
C1	Added rebar hook	1/28/13	SLD	KLL	A	Revised - Engineered K4 Crash Foundation Details	12/22/08	MKS	DMR	Title: M-30 SHIELD Crash Gate Foundation-OperEnd		

PER: ASTM 2656-07, SPECIFICALLY 7.2.2;
 THE FOUNDATION SHALL BE POURED ON UNDISTURBED SOIL, OR CONTROLLED AND COMPACTED FILL TO A DENSITY OF NOT LESS THAN 90% MAXIMUM DRY DENSITY IN ACCORDANCE WITH TEST METHODS D1556 AND D2922 AND AASHTO METHOD OF TEST T099.

SIDES OF FOUNDATION SHALL BE FORMED IN EXCAVATED MAT'L., IF POSSIBLE. OTHERWISE, SIDEWALLS SHALL BE FORMED WITH INDICATED DIMENSIONS. ALL BACKFILL MATERIAL AND REPLACEMENT METHODS MUST COMPLY WITH STATED CODES LISTED ABOVE.

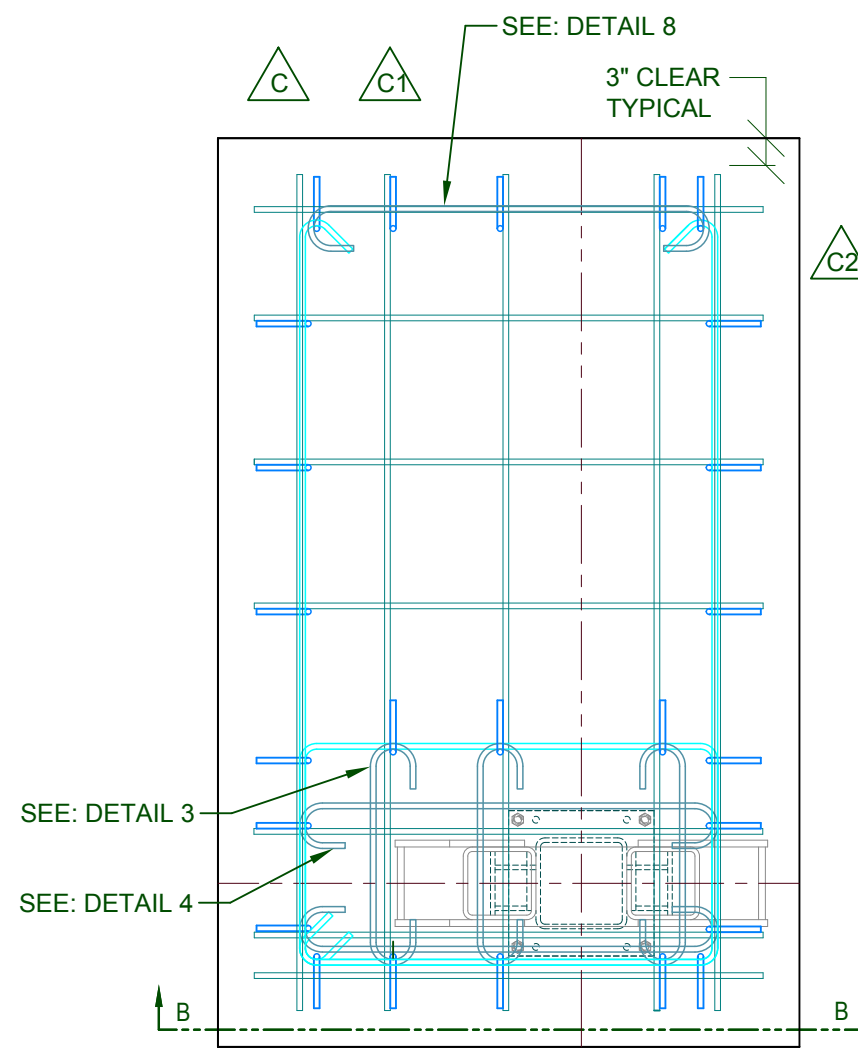
INSTALL REBAR ITEMS 5, 6, AND 7 WITH FIRST 6" CONC. LEVELING PAD POUR, BEFORE INSERTING THE STEEL BOLSTER ASSEMBLY AND FINAL REBAR.

ALL CONCRETE SHALL BE A CONTROLLED STONE GRAVEL MIX PRODUCED, TESTED, TRANSPORTED, PROTECTED, AND PLACED IN ACCORDANCE WITH THE LATEST AMERICAN CONCRETE INSTITUTE RECOMMENDATIONS. FOLLOW ACI RECOMMENDATIONS FOR CURING AND MIX DESIGN WITH CONSIDERATION FOR CLIMATE AND CONDITIONS.

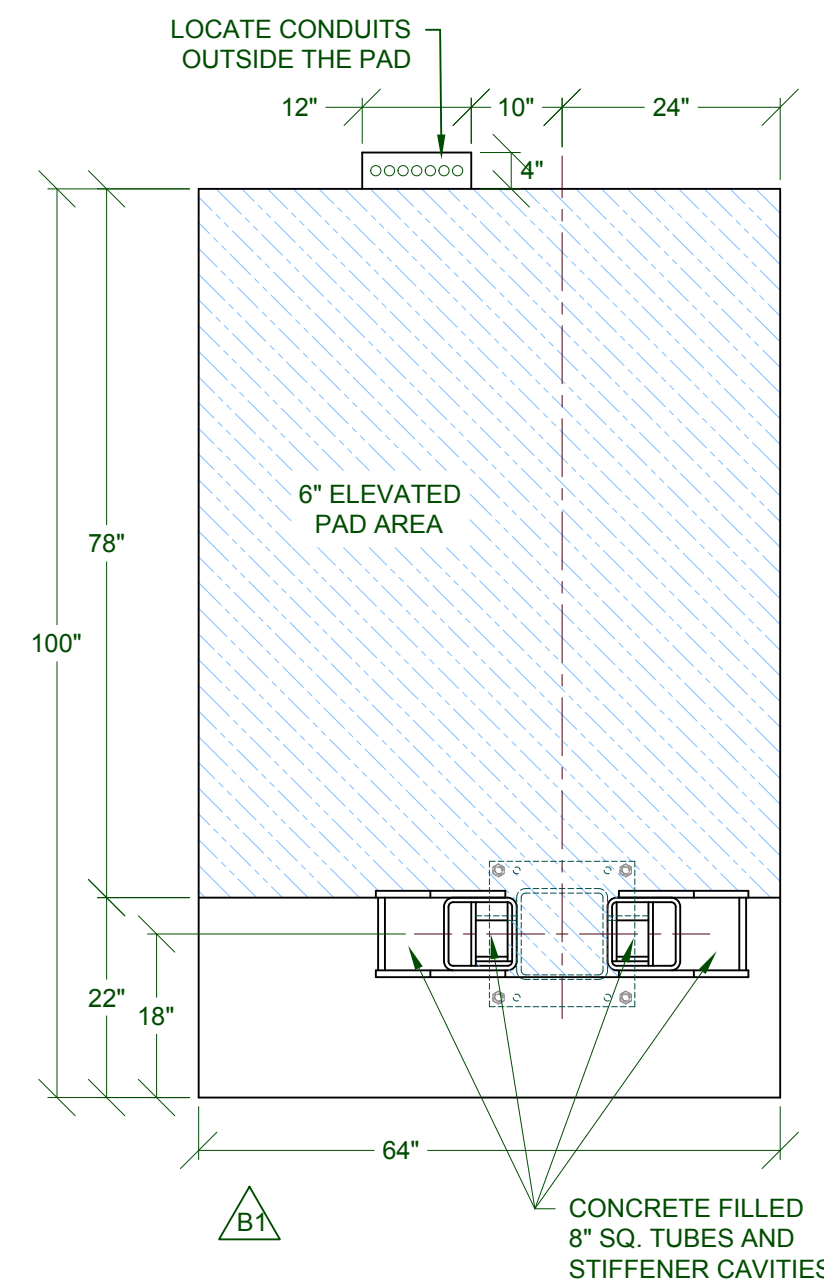
OPTIMUM CONCRETE MIX: 4000 PSI COMPRESSIVE STRENGTH.
 MINIMUM 600 LB./CU.YD. CEMENT CONTENT
 MAXIMUM 0.50 WATER CONTENT.
 6% AIR CONTENT
 4" SLUMP

REINFORCING STEEL SHALL BE DEFORMED BARS (ASTM A-615) WITH A MINIMUM YIELD STRENGTH OF 60,000 PSI.

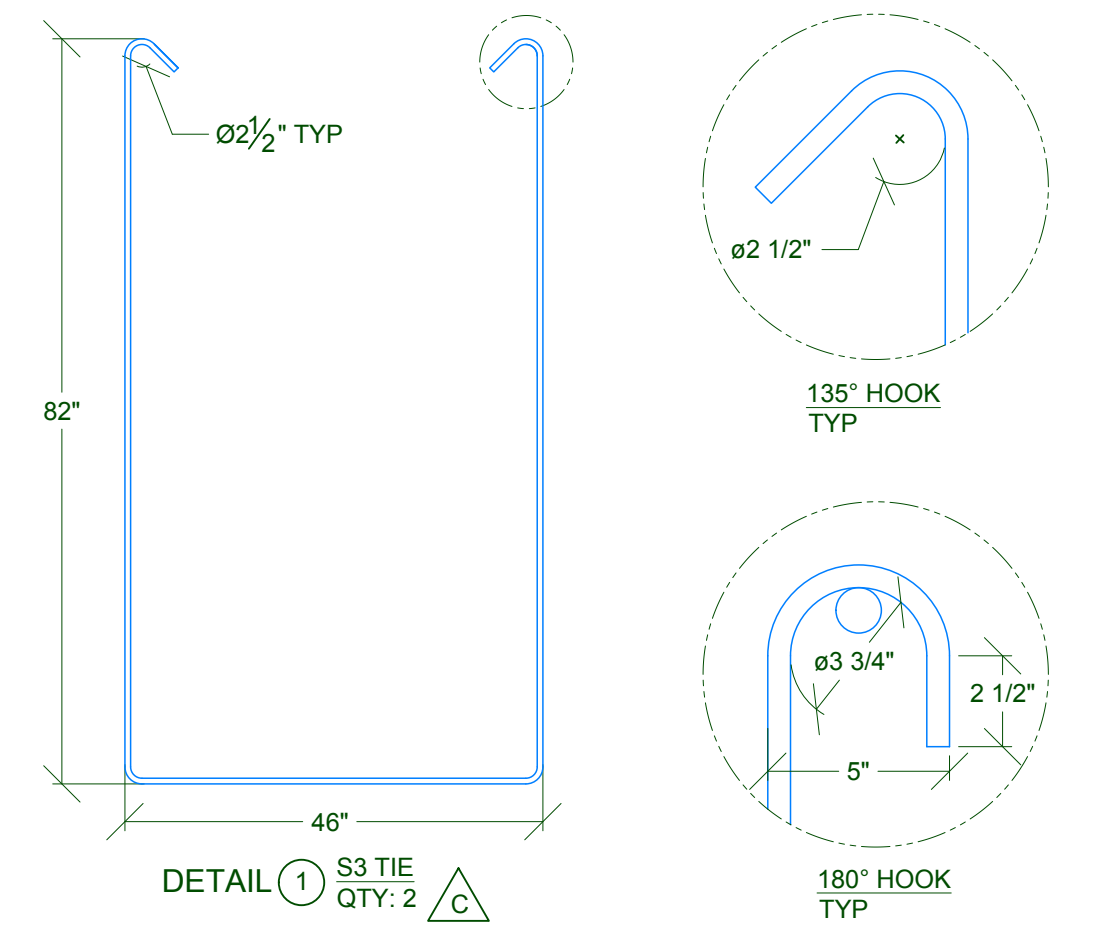
CHAMFER ALL EXPOSED CONCRETE EDGES 3/4".



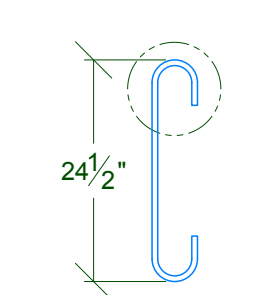
REINFORCEMENT PLAN
SCALE: NTS



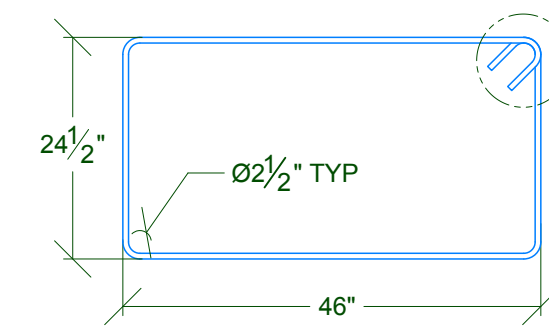
PLAN VIEW
SCALE: NTS



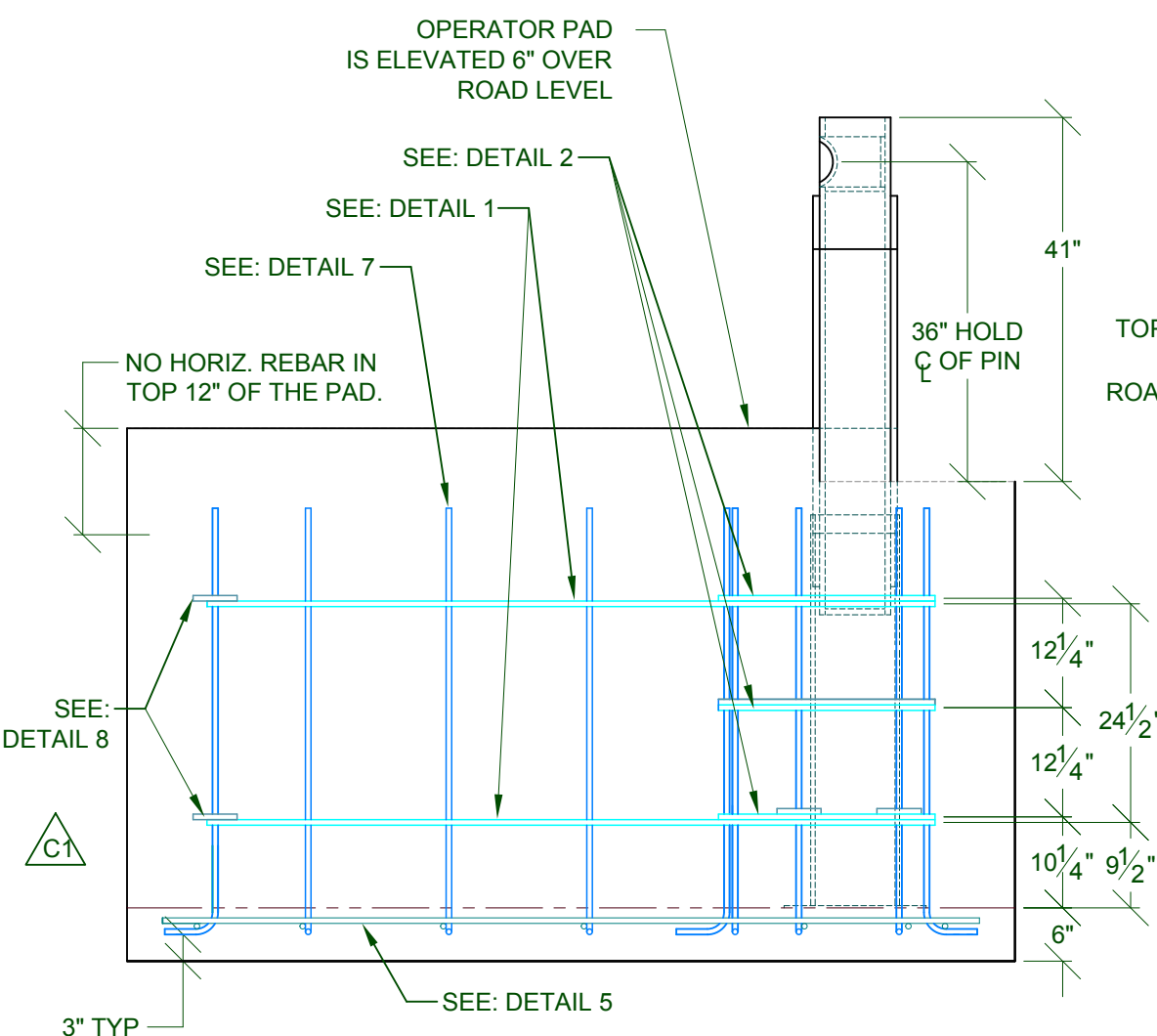
DETAIL 1 S3 TIE
QTY: 2



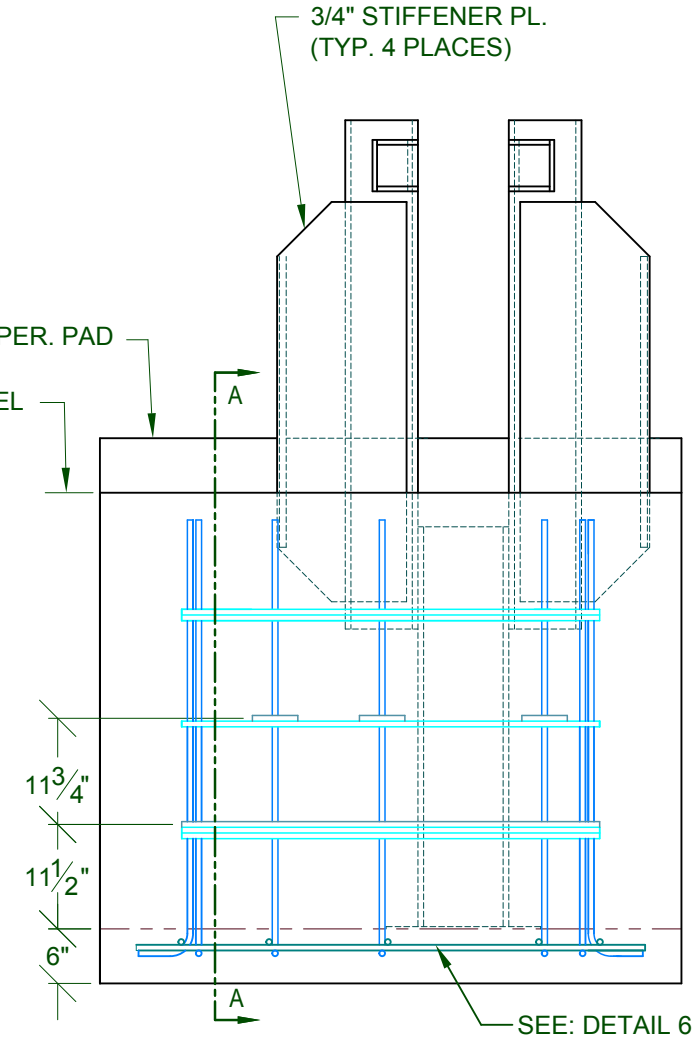
DETAIL 3
2-180° HOOKS
QTY: 3



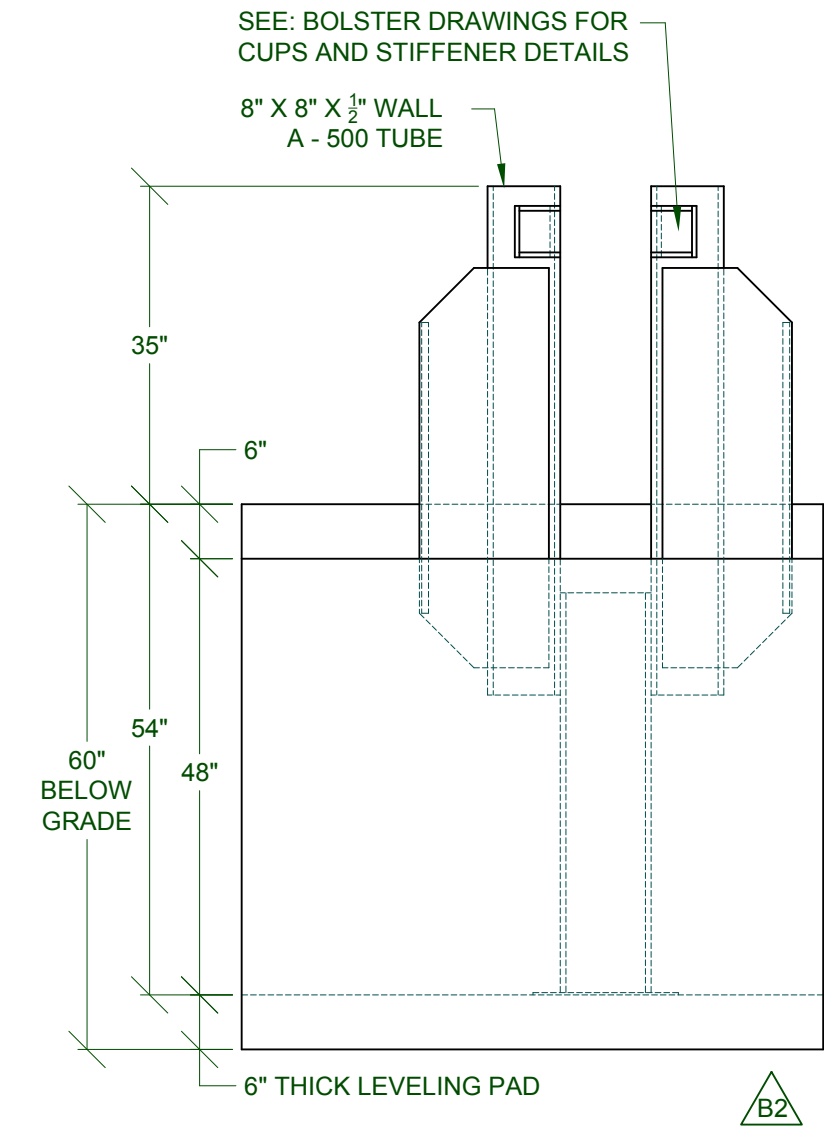
DETAIL 2 T1 Tie
QTY: 3



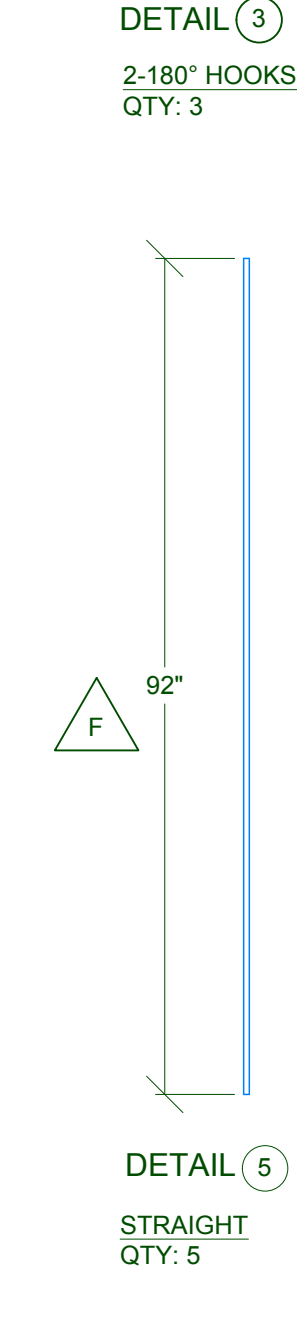
REINFORCEMENT SECTION "A-A"
SCALE: NTS



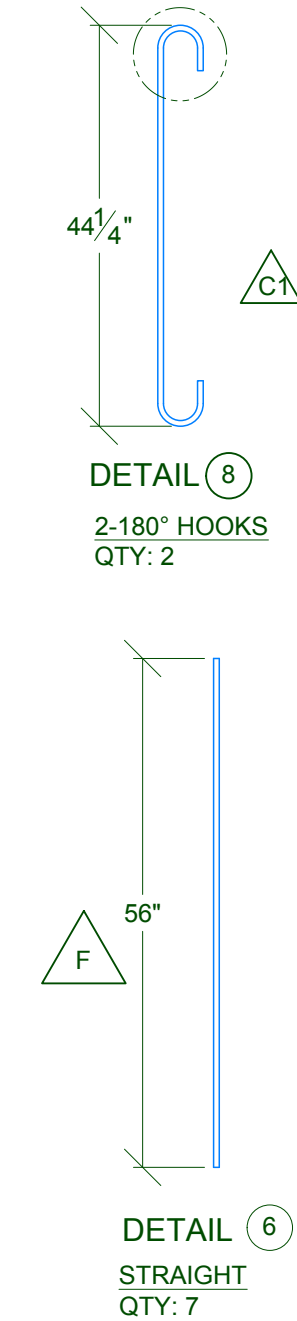
REINFORCEMENT SECTION "B-B"
SCALE: NTS



ELEVATION VIEW
SCALE: NTS



DETAIL 5
STRAIGHT
QTY: 5



DETAIL 6
STRAIGHT
QTY: 7



DETAIL 4
2-180° HOOKS
QTY: 2

DETAIL 7
90° LEG
QTY: 22

NOTE: ALL REBAR TO BE #5

Rev.:	Revisions:	Date:	Drn. By:	Ckd. By:	Rev.:	Revisions:	Date:	Drn. By:	Ckd. By:
F	STRAIGHT REBAR #5 WAS 94" LG. & #6 WAS 58" LG.	07/18/14	MKS	EGS	C	Changed the rebar style from T1 to S3 per ECR 010-13	1/28/13	SLD	KLL
E	ADDED NOTE THAT ALL REBAR IS TO BE #5	12/12/13	MKS	DMR	B3	Changed the rebar style	12/27/12	SLD	KLL
D	R/H in titleblock was wrong - corrected the hand to L/H	10/03/13	MKS	DMR	B2	Changed leveling pad from 3" to 6"	08/24/12	MKS	DMR
C2	Changed location of Item 7 hook	1/28/13	SLD	KLL	B1	Changed pad shape	08/24/12	MKS	DMR
C1	Added rebar hook	1/28/13	SLD	KLL	A	Revised - Engineered K4 Crash Foundation Details	12/22/08	MKS	DMR

DO NOT SCALE

NOTICE
 THE INFORMATION CONTAINED ON THIS DOCUMENT IS CONFIDENTIAL. ANY DISSEMINATION, UNAPPROVED DISCLOSURE OR COPYING OF THIS INFORMATION IS STRICTLY PROHIBITED.

UNLESS OTHERWISE SPECIFIED DIMENSIONS ARE IN INCHES
 ANGLES ± 1°
 XX ± 1/32, .XX ± .01, .XXX ± .005

Date: 12/27/12
 Drn. By: SLD
 Ckd. By:
 Dwg.: M-30 FOUNDATION-OperEnd-L/H
 Title: M-30 SHIELD Crash Gate Foundation-OperEnd

