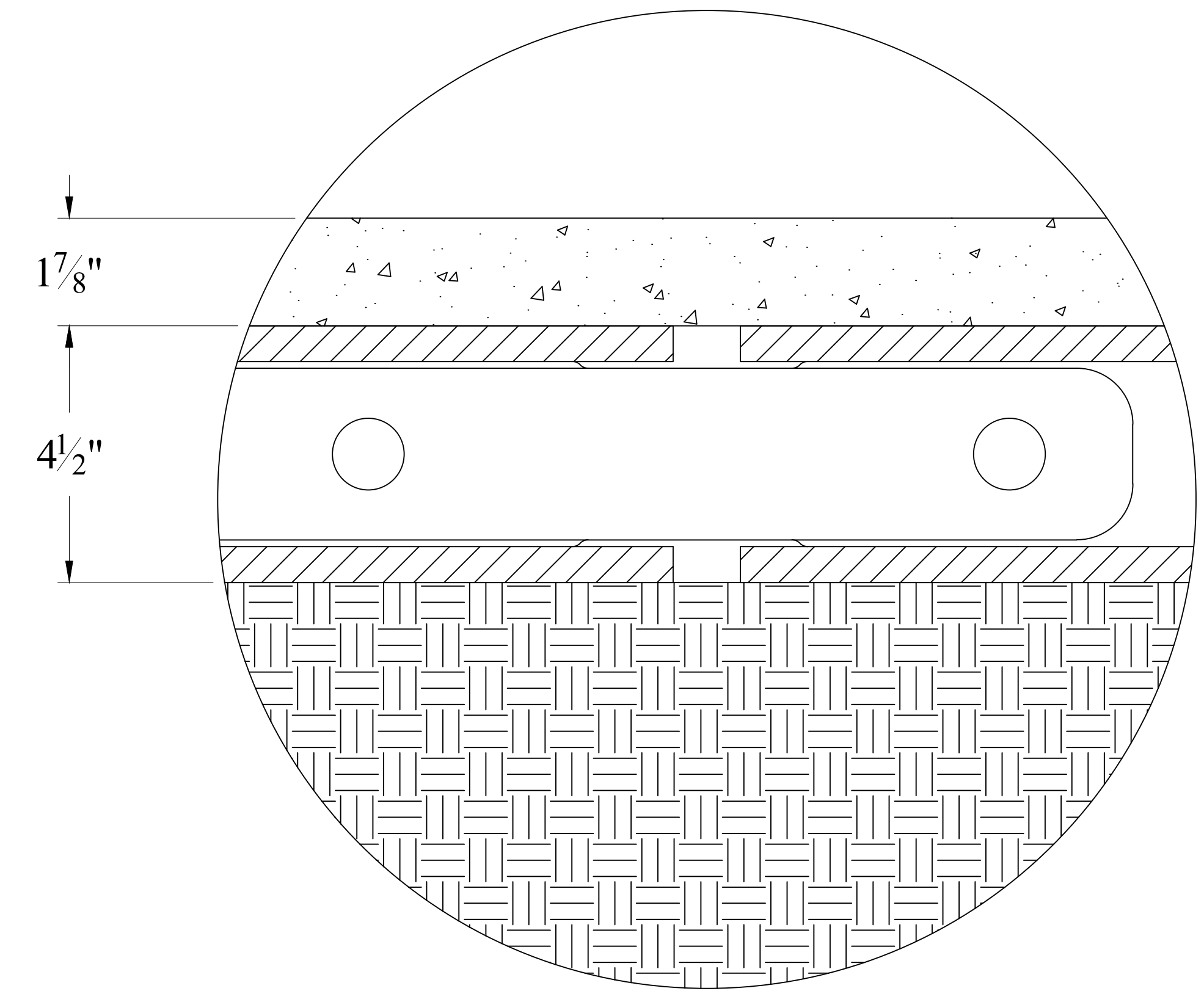
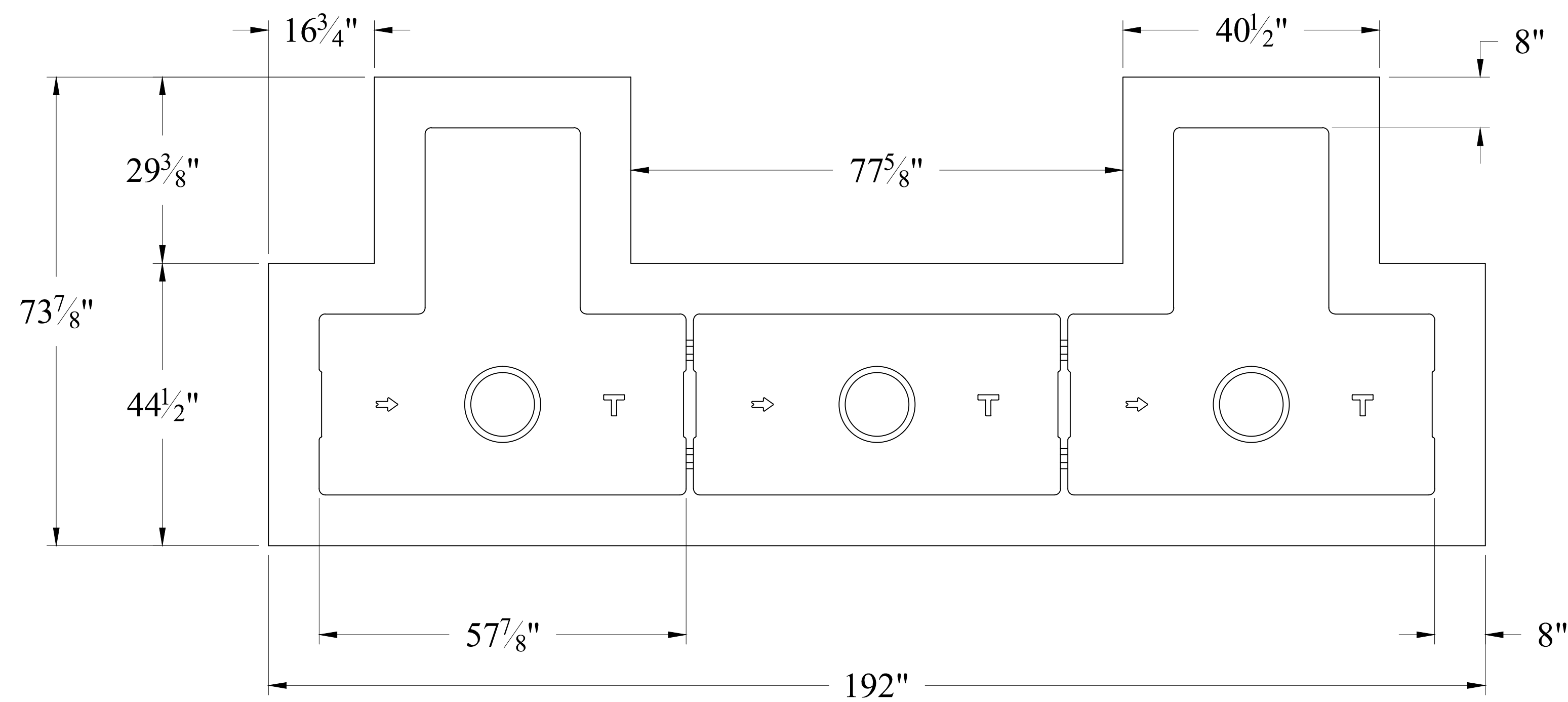
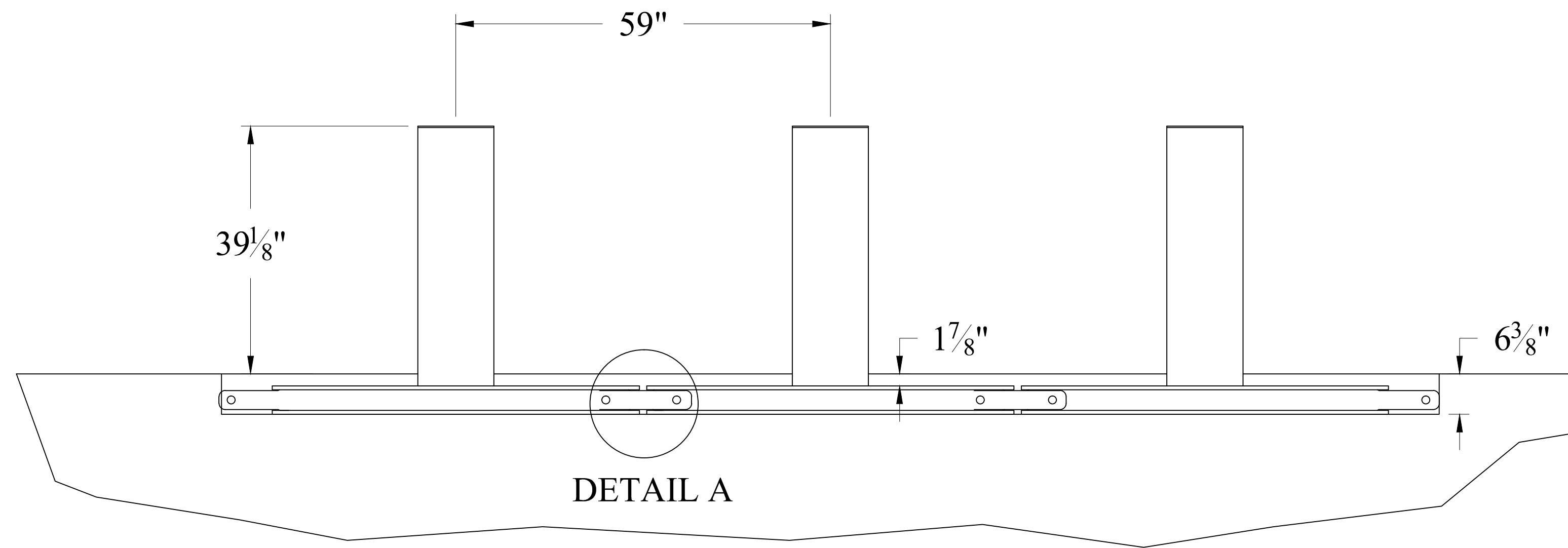


BOLLARD CONFIGURATION

NUMBER OF BOLLARDS: THREE (TWO 'T' SHAPED
FLANKING A STRAIGHT SECTION)

DEPTH OF FOUNDATION: 6-3/8"

BOLLARD SPECIFICATION	
BOLLARD MATERIAL	MILD STEEL
DIAMETER	12"
WALL THICKNESS	1"
HEIGHT ABOVE GROUND	39-1/8"



DETAIL A

Unless Noted Otherwise		DO NOT SCALE		PROPRIETARY INFORMATION	
.x	Decimal ± .040	DO NOT SCALE		This drawing is the proprietary property of AMERISTAR, Tulsa, OK and must not be duplicated or used in whole or in part for the making of drawings, prints or parts to the detriment of, or harm to, the owner. In accepting this drawing, the recipient agrees to keep the information contained confidential.	
.xx	Decimal ± .030	OFF DRAWING			
.xxx	Decimal ± .020				
.xxxx	Decimal ± .010	Angular ± 0.5°			

REVISION HISTORY					
REV	ECN	AUTHOR	DATE	DESCRIPTION	
B	.	DM	04/03/18	ADJUSTED AND DIMENSIONED EXCAVATION	
C	.	DM	07/31/18	ADJUSTED BOLLARD PLATE THICKNESS TO IMERIAL	

		1555 N. Mingo Tulsa, OK 74116 1-888-333-3422 www.ameristarfence.com
TITLE: PAS 68 SHALLOW MOUNT BOLLARD		
DATE: 04/16/13	SHEET: 1 of 1	
DRN BY: JAS	REV: C	
DRAWING NO: PAS 68 GENERAL		