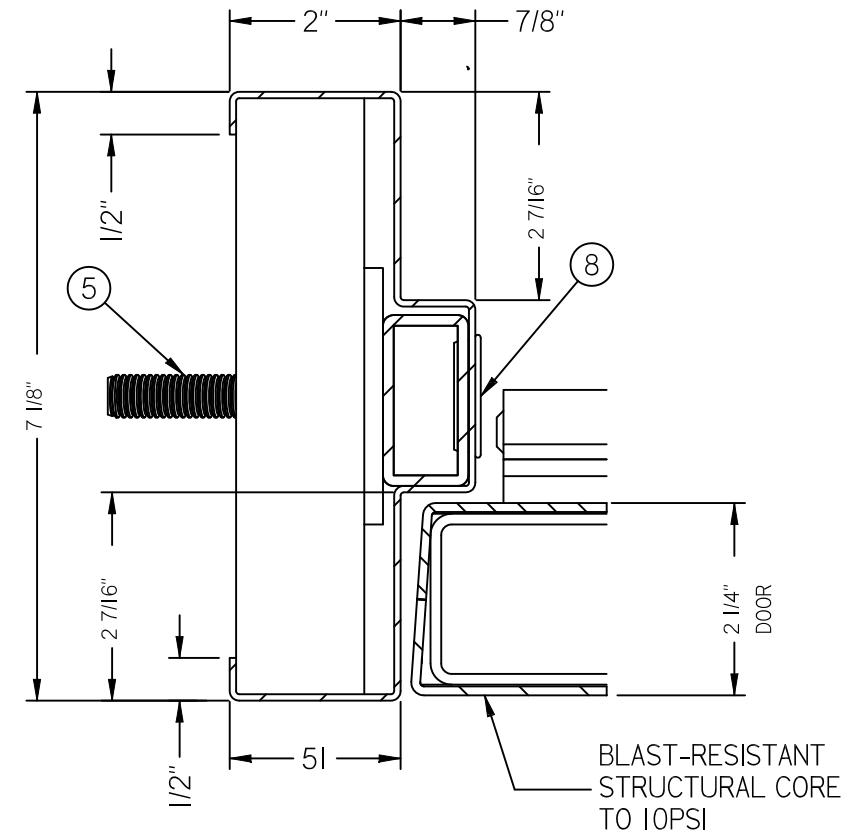
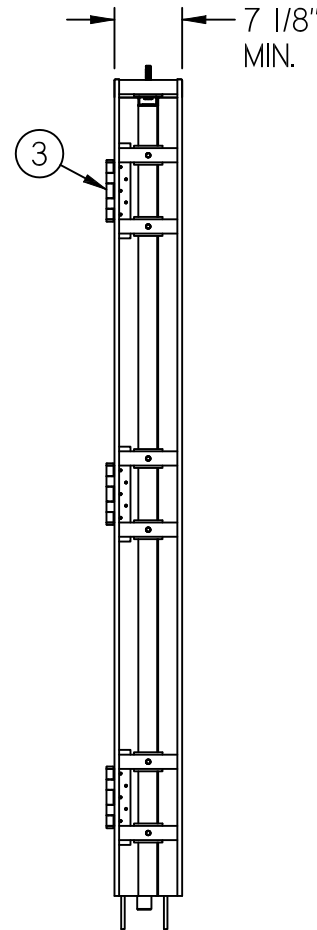
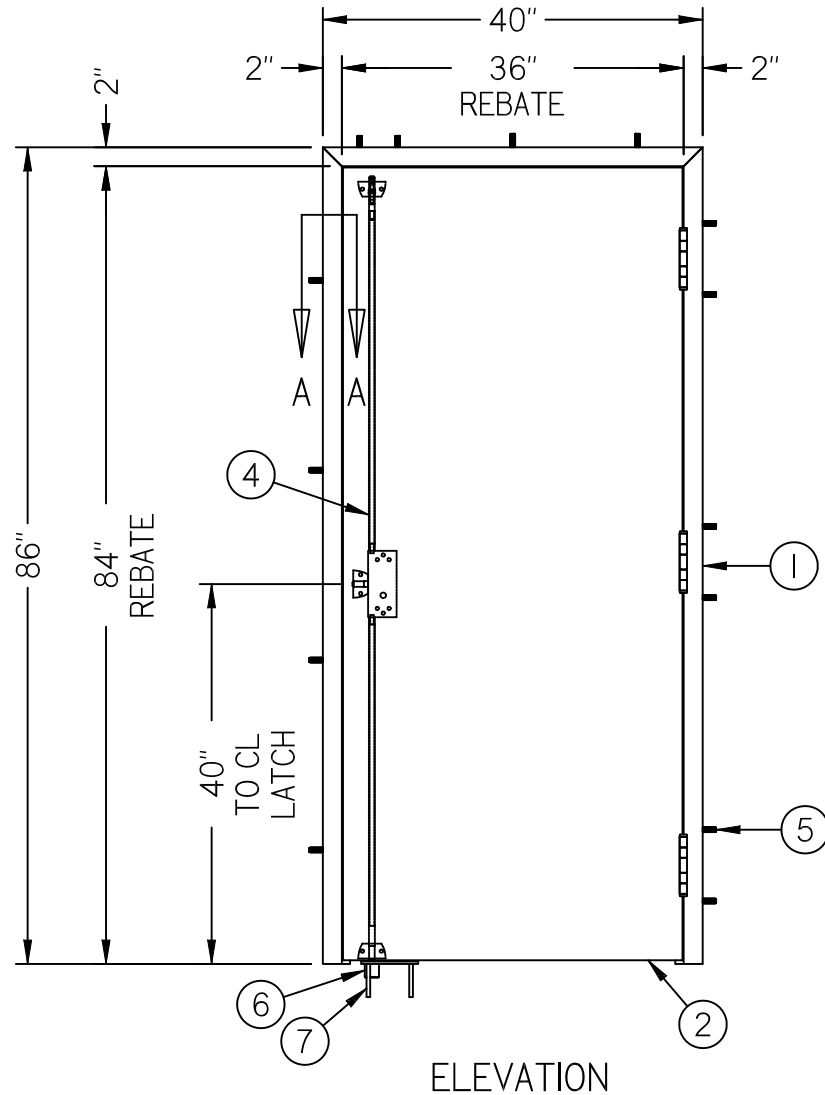


NOTES:

1. ARCHITECT AND/OR CONTRACTOR TO ENSURE WALL CAN RESIST APPLIED LOADING.
2. QUANTITY OF SCREWS OR CONCRETE ANCHORS AND THEIR LOCATION DEPENDS ON WALL CONSTRUCTION AND THUS ARE SUBJECT TO CHANGE



Item No.	Title
1	10 psi Blast-Resistant Frame
2	10 psi Blast-Resistant Door
3	6" Heavy Weight Hinge w/ Welded Knuckles
4	Surface-Mount 3-pt Blast-Resistant Hardware
5	Hex Bolt or Concrete Anchor
6	Floor Plate
7	Flat-Head Concrete Anchor
8	Hole Plug - 1.25" Hole