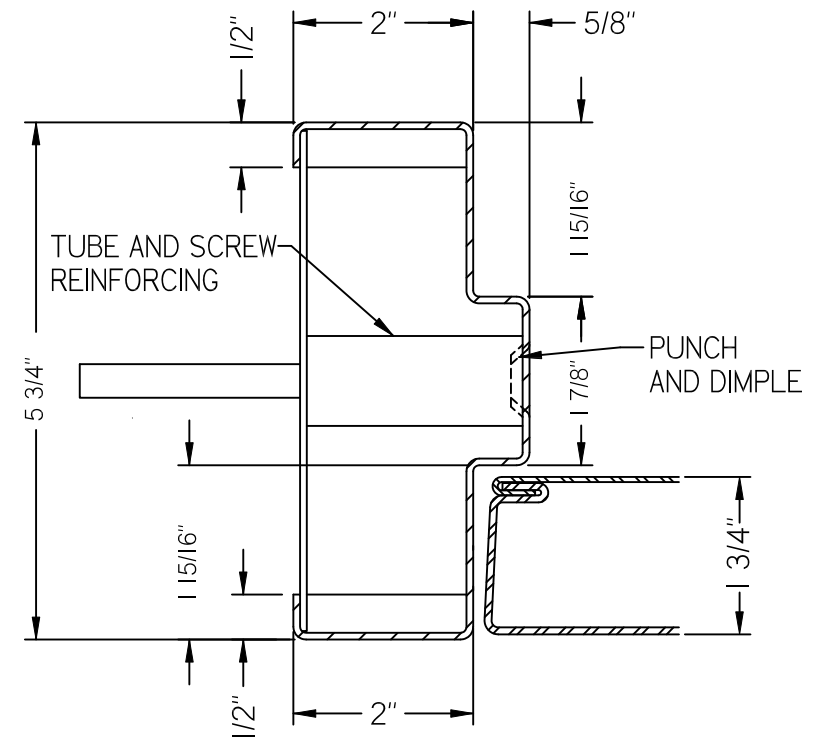
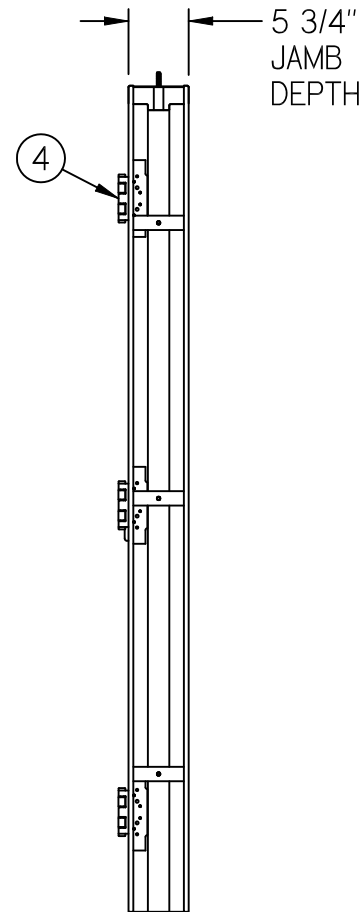
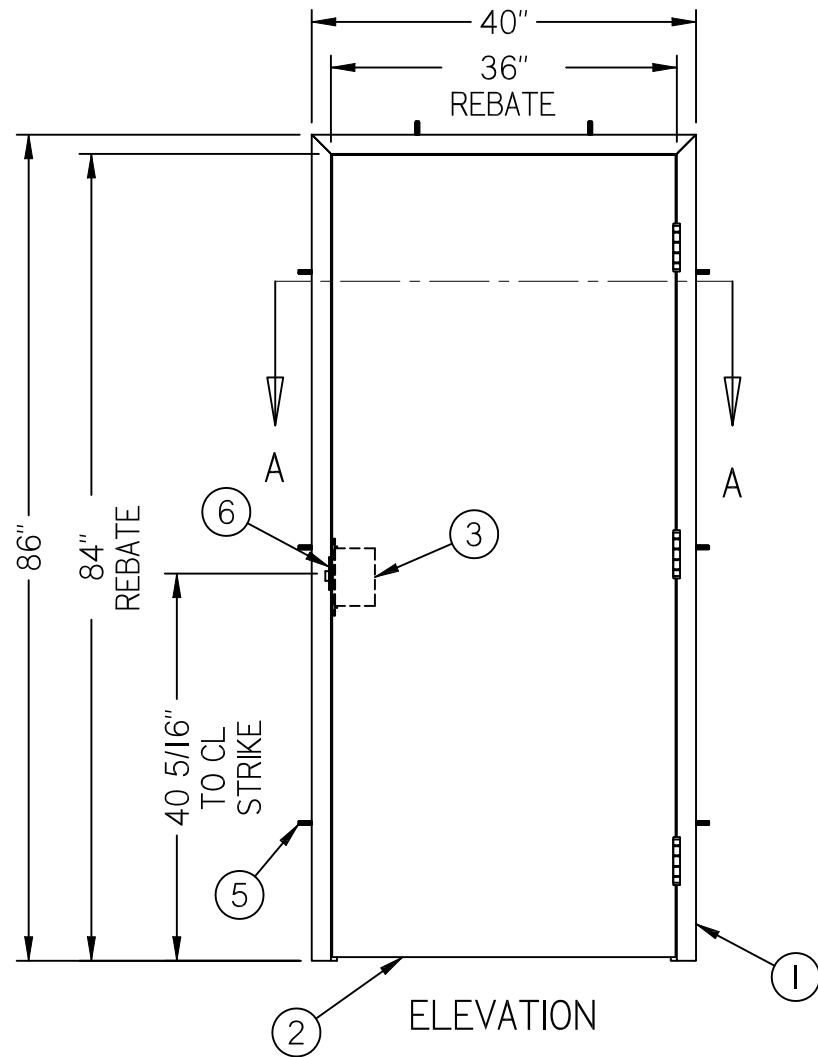


NOTES:

1. ARCHITECT AND/OR CONTRACTOR TO ENSURE WALL CAN RESIST APPLIED LOADING.
2. QUANTITY OF SCREWS OR CONCRETE ANCHORS AND THEIR LOCATION DEPENDS ON WALL CONSTRUCTION AND THUS ARE SUBJECT TO CHANGE



Item No.	Title
1	100psf Frame
2	100psf Door
3	Mortise Lock or Exit Device
4	4 1/2" x 4 1/2" Heavy Weight Hinge
5	Machine Screw or Concrete Anchor
6	Blast Reinforced Strike