

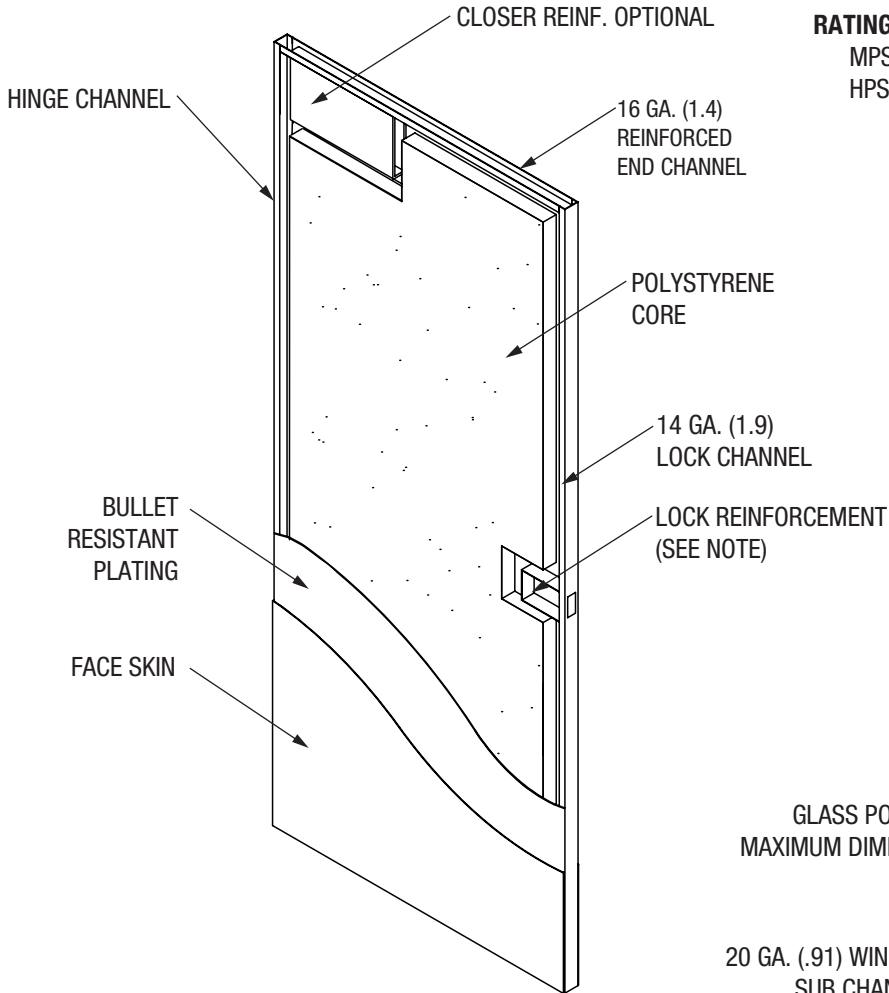
2 737 Bullet Resistant Level 1 & 2 Door Details



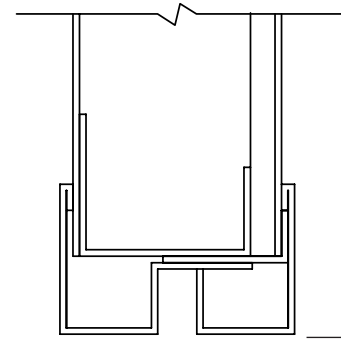
Bullet Resistant Door Technical Data

April, 2014

NOTE: Door and frame must be furnished as a complete assembly with factory welded M12 series frame. Tested in accordance and complies with U.L. test standard 752 "Bullet Resistant Equipment"



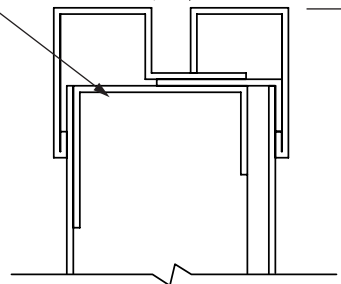
RATINGS:
 MPSA Level 1 (medium power small arms)
 HPSA Level 2 (high power small arms)



SEE NOTE FOR VISIBLE GLASS SIZE

GLASS POCKET WIDTH MAY VARY.
 MAXIMUM DIMENSION OF 1-1/8" (28.6)

20 GA. (.91) WINDOW SUB CHANNEL



NOTES:

MAXIMUM SIZE:
 4'0" (1219.2) WIDE X 10'0" (3048) HIGH. PAIRS WITH MULLIONS AVAILABLE.

HARDWARE:
 CONTACT FACTORY FOR HARDWARE APPROVED FOR USE WITH THIS ASSEMBLY.

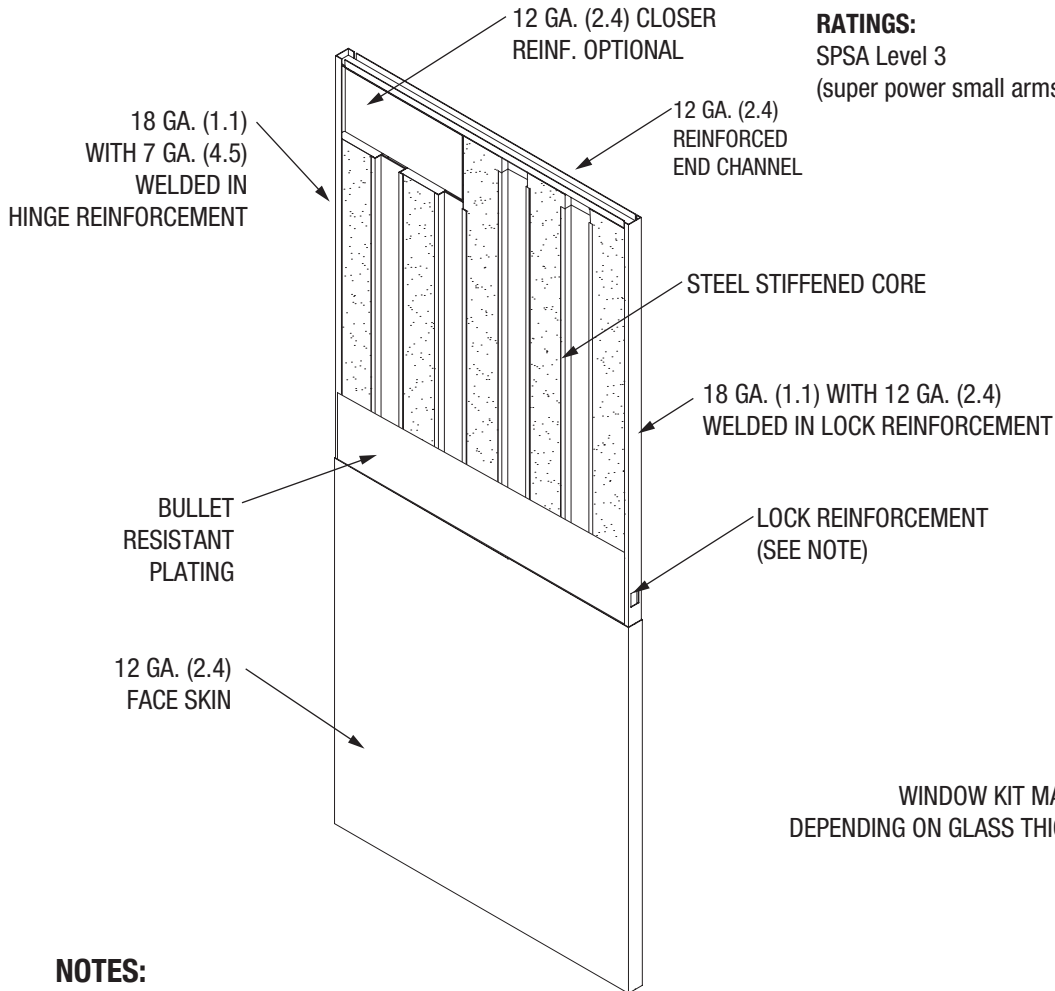
VISION PANELS:
 FV1 = VISIBLE OPENING IS 12" (304.8) X 12" (304.8)
 HG = SIZE VARIES
 FG = SIZE VARIES

1-7/8" (47.6)
 APPROXIMATELY



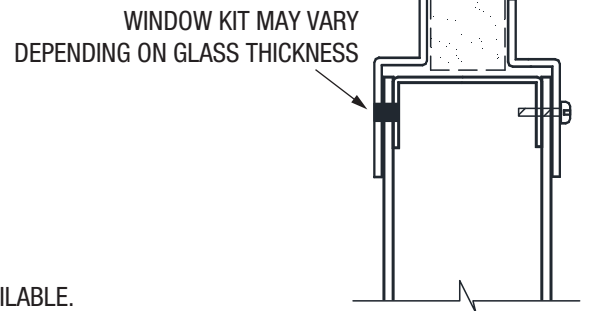
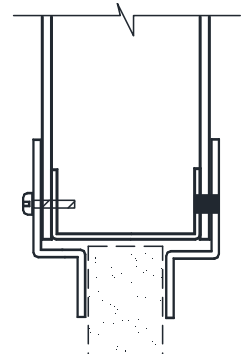


NOTE: Door and frame must be furnished as a complete assembly with factory welded M12 series frame. Tested in accordance and complies with U.L. test standard 752 "Bullet Resistant Equipment"



RATINGS:
SPSA Level 3
(super power small arms)

Contact Specialty Team for Fire Rating information



NOTES:

MAXIMUM SIZE:

4'0" (1219.2) WIDE X 10'0" (3048) HIGH. PAIRS WITH MULLIONS AVAILABLE.

HARDWARE:

MORTISE AND CYLINDRICAL LOCKS PER ANSI A156.115; RIM PANIC EXIT DEVICES PER ANSI A156.3, TYPE 1, 2, 3, AND 8. THROUGH BOLTED HARDWARE PREPARATIONS ARE FIELD MACHINED; HARDWARE MANUFACTURER IS RESPONSIBLE FOR VALIDATING BULLET RESISTANCE OF LOCK IF NOT USING THROUGH-BOLTED HARDWARE.

VISION PANELS (NON FIRE RATED):

- FV1 = VISIBLE OPENING IS 12" (304.8) X 12" (304.8)
- HG = SIZE VARIES
- FG = SIZE VARIES

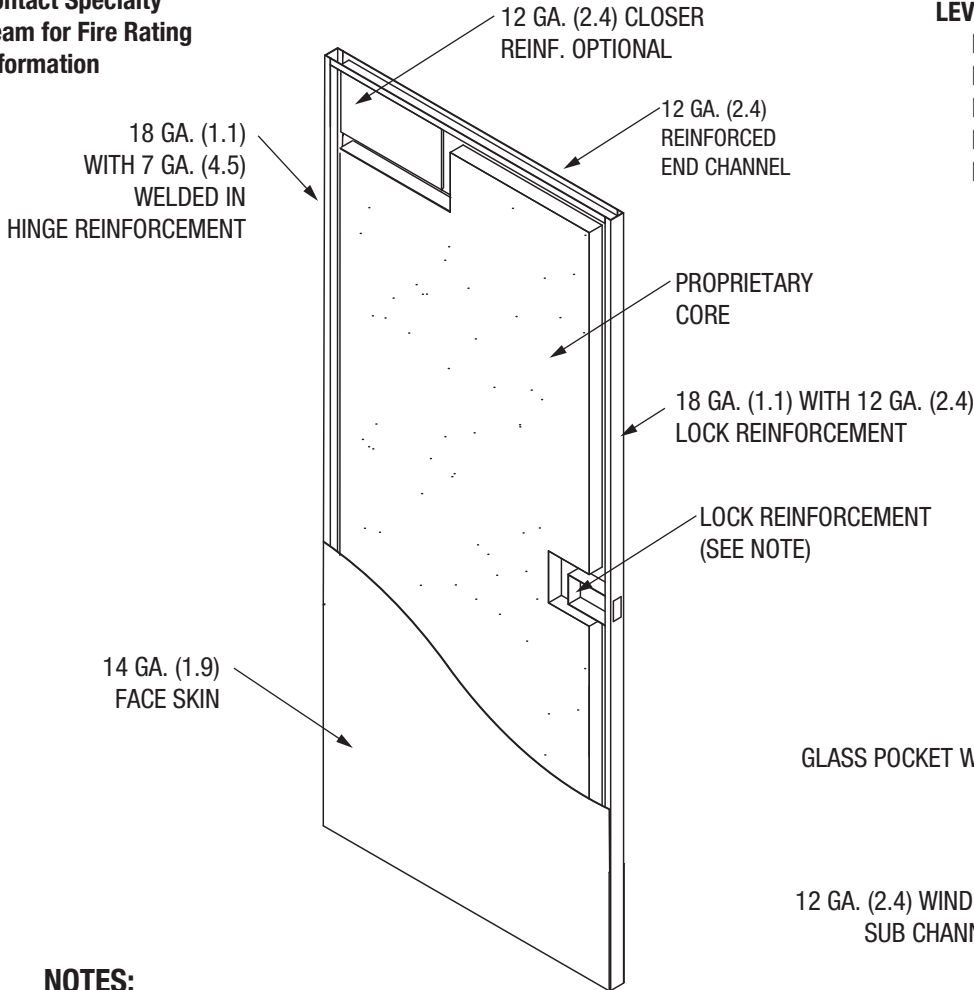


February, 2020



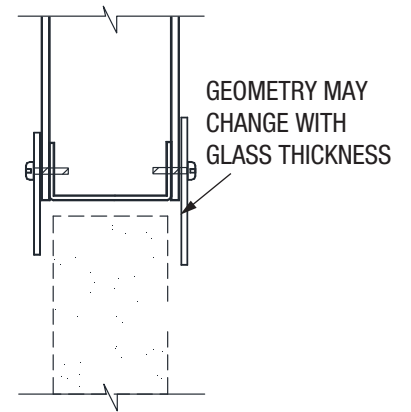
NOTE: Door and frame must be furnished as a complete assembly with factory welded frame. Tested in accordance and complies with U.L. test standard 752 "Bullet Resistant Equipment"

Contact Specialty Team for Fire Rating information

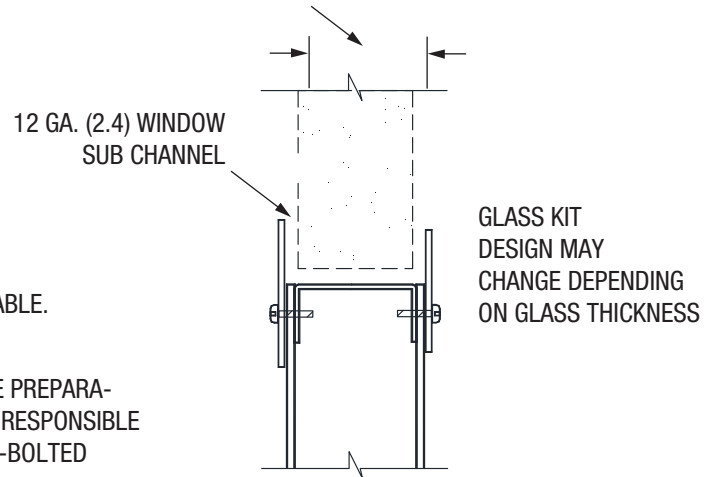


LEVEL 4-8 RATINGS:

- HPR Level 4 (high powered rifle)
- HPR Level 5 (high powered rifle)
- MPSA Level 6 (medium powered small arms)
- HPR Level 7 (high powered rifle)
- HPR Level 8 (high powered rifle)



GLASS POCKET WIDTH MAY VARY.



NOTES:

MAXIMUM SIZE:

4'0" (1219.2) WIDE X 9'0" (2743.2) HIGH. PAIRS WITH MULLION AVAILABLE.

HARDWARE:

SURFACE MOUNTED HARDWARE, ONLY. THROUGH BOLTED HARDWARE PREPARATIONS ARE FIELD MACHINED; HARDWARE MANUFACTURER IS RESPONSIBLE FOR VALIDATING BULLET RESISTANCE OF LOCK IF NOT USING THROUGH-BOLTED HARDWARE.

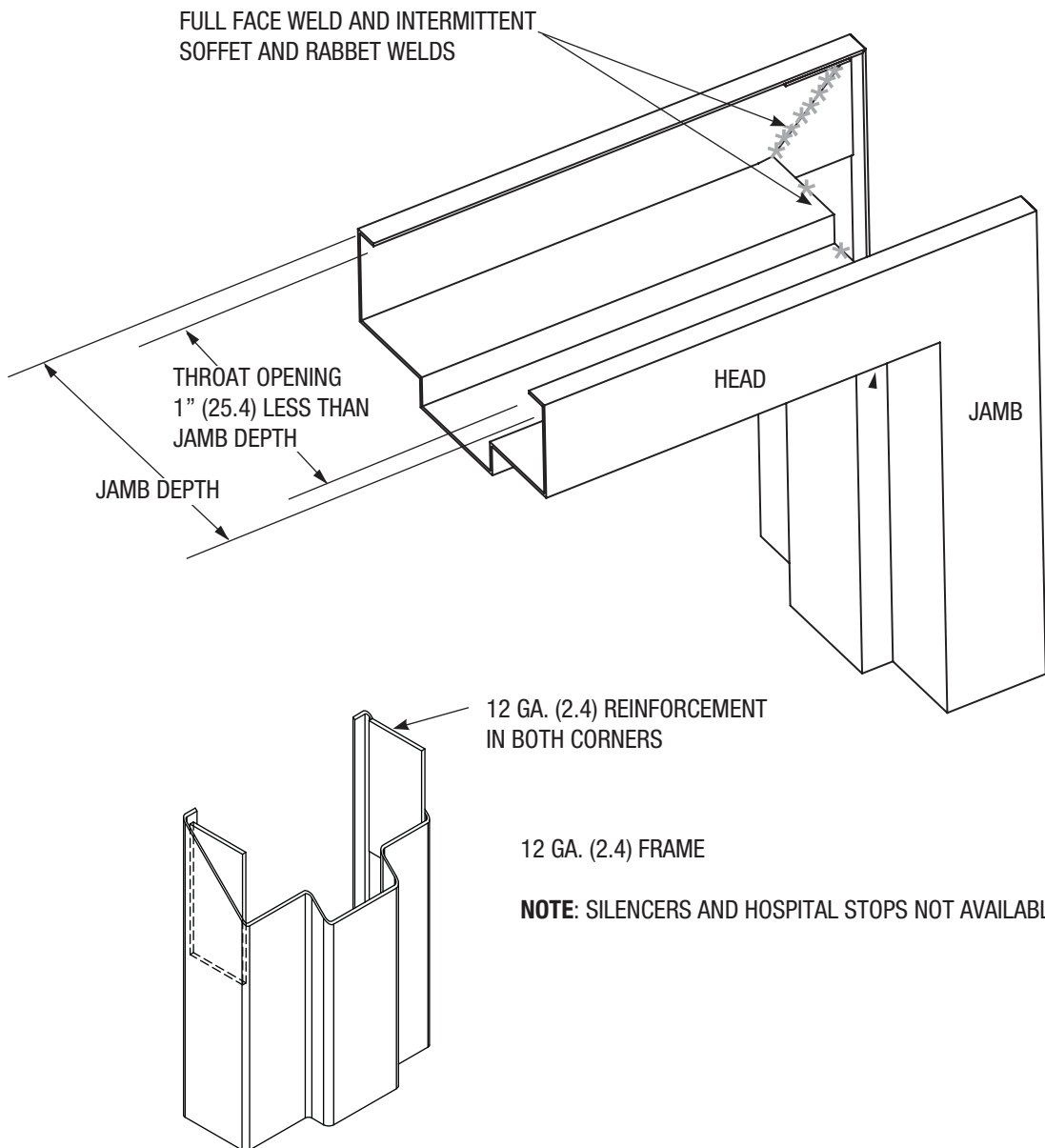
VISION PANELS (NON FIRE RATED):

- FV1 = VISIBLE OPENING IS 12" (304.8) X 12" (304.8)
- HG = SIZE VARIES
- FG = SIZE VARIES





NOTE: Door and frame must be furnished as a complete assembly with factory welded M12 series frame. Tested in accordance and complies with U.L. test standard 752 "Bullet Resistant Equipment"



6 Bullet Resistant Frames Level 4-8

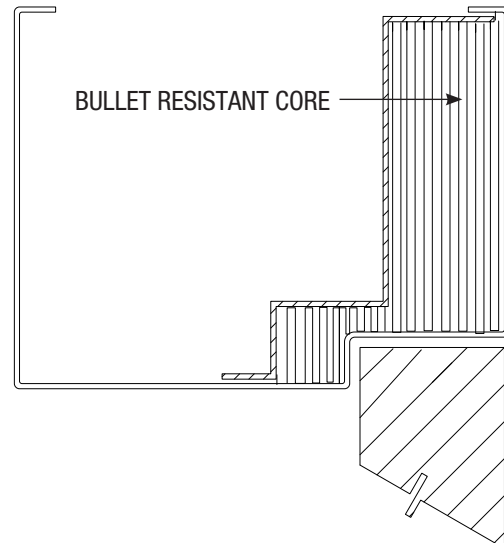
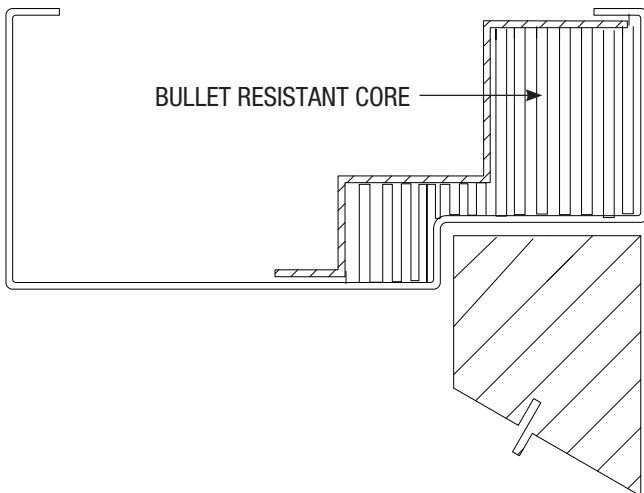
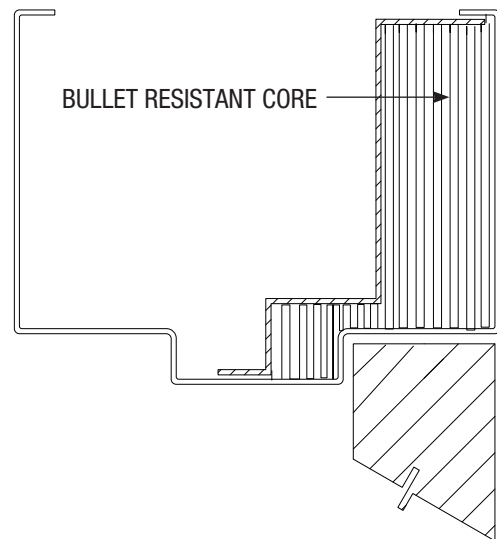
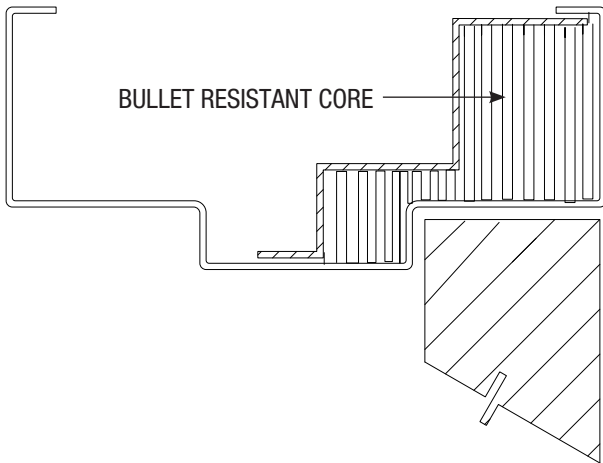
Bullet Resistant Frame Technical Data



April, 2014



NOTE: Door and frame must be furnished as a complete assembly with factory welded M or G series frame. Tested in accordance and complies with U.L. test standard 752 "Bullet Resistant Equipment"



NOTES:

- FRAME IS 14 GA. (1.9)
- CONTINUOUS HINGE AND PIVOTS ONLY
- SILENCERS AND HOSPITAL STOPS NOT AVAILABLE

Experience a safer
and more open world